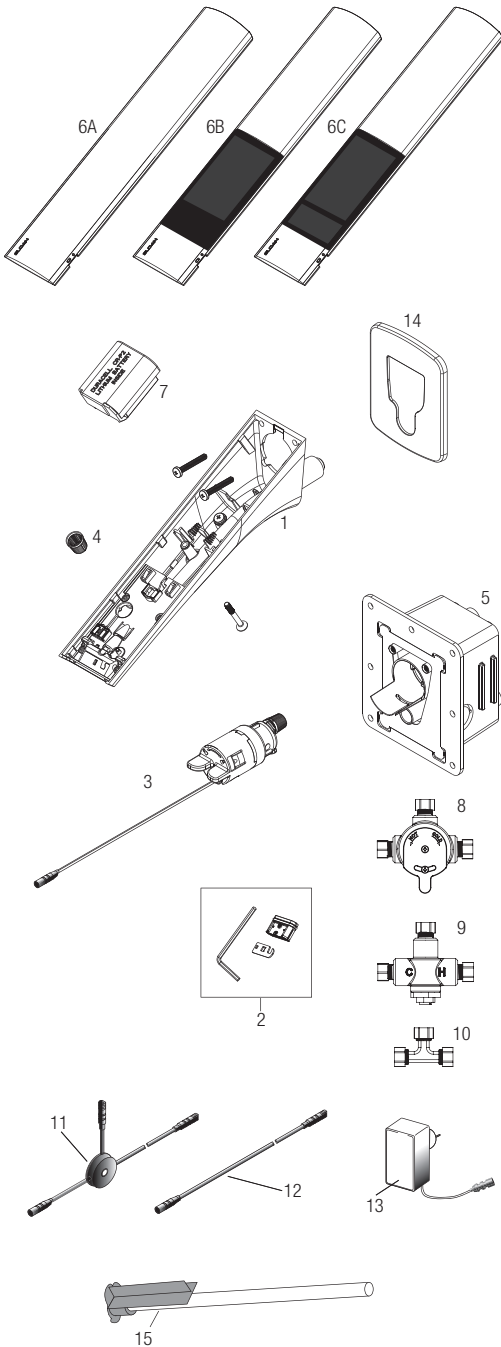


BASYS® Faucet

Infrared Sensor Activated



PARTS LIST—BASYS FAUCETS

Item No.	Code No.	Part No.	Description
1.	—	—	Wall Mount Faucet Assembly
2.	3324104	EFX-1002-A	0.5 gpm/1.9 Lpm Multi-Lam Spray Head (includes insert, o-ring, 2.5 mm allen key, and removal tool)
	3324103	EFX-1001-A	1.5 gpm/5.7 Lpm Aerated Stream Insert (includes insert, o-ring, 2.5 mm allen key, and removal tool)
	3324102	EFX-1000-A	1.5 gpm/5.7 Lpm Laminar Stream Insert (includes insert, o-ring, 2.5 mm allen key, and removal tool)
3.	3324162	EFX-1011-A	0.5 gpm/1.9 Lpm Solenoid Valve Caddy Assembly – Wall (Green) ‡
	3324163	EFX-1012-A	1.5 gpm/5.7 Lpm Solenoid Valve Caddy Assembly – Wall (Blue) ‡
4.	0324019	EFX-19	Strainer (Filter)
5.	—	EFX-1013-A	Mounting Assembly
6A.	3324160	EFX-1009-A	Bowed Crown Assembly
6B.	3324138	EFX-1010-A	Solar Crown Assembly
6C.	3324139	EFX-1018-A	Solar Crown with LCD Assembly
7.	—	—	CR-P2 Lithium Battery
8.	3326009	MIX-60-A	Mechanical, Below Deck Mixing Valve
9.	0326045	MIX-135-A	Thermostatic, Below Deck Mixing Valve
10.	3365461	ETF-617-A	Bak-Chek Tee Assembly
11.	0335023	EAF-23-A	Splitter
12.	0335024	EAF-24-A	11-13/16" (300 mm) Extension Cable
	0335025	EAF-25-A	47-1/4" (1200 mm) Extension Cable
	0335015	EAF-17-A	126" (3200 mm) Extension Cable
13.	0335009	EAF-11	Plug-in Voltage Adapter (US)
	0335041	EAF-41	Plug-in Voltage Adapter (EU)
	0335039	EAF-39	Plug-in Voltage Adapter (UK)
	0335037	EAF-37	Box Type Voltage Adapter
14.	3324165	EFX-1014-A	Wall Flange
15.	—	—	Purge Tool

NOTE: If changing flow rate caddy and spray insert must be changed in conjunction.

† Single Supply faucets include Bak-Chek®

— in Item No. column = Not shown in illustration

— in Code No. and Part No. column = Not sold separately

‡ Old style / T-shaped contact.

New style / Plug contact

Electrical Connection for up to Six (6) Faucets Using One (1) Adapter

