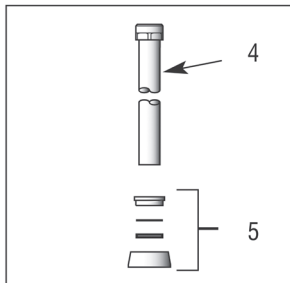
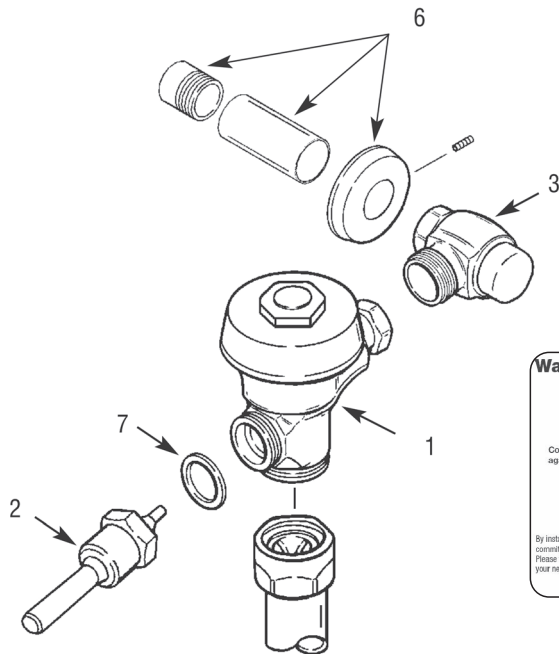


UPPERCUT® Dual-flush Flushometer



PARTS LIST

Item No.	Code No.	Part No.	Description
1.	—	†	Valve Assembly
2.	3372003	WES-212	ADA Compliant Dual-Flush Handle
	3372010	WES-212	ADA Compliant Dual-Flush Handle (Spanish)
3.	3308386	H-700-A	Bak-Chek® Control Stop
4.	3393007	V-600-AA	1-1/2" (38 mm) x 9" (229 mm) Vacuum Breaker Assembly ‡
5.	0306146	F-5-AT	1-1/2" (38 mm) Spud Coupling Assembly
6.	3308782	H-633-AA	1" (25 mm) CP Sweat Solder Kit with Cast Set Screw Flange
7.	5301139	A-31	Handle Gasket – 48 per package
8.	0372006	WES-13	Wall Plate (English)
	0372019	WES-18	Wall Plate (Spanish)

† Part number varies with valve model variation; consult factory.

‡ Length varies with valve model variation; consult factory.

Not shown: EBV-1041-A (**0325137PK**)

