

## INSTALLATION INSTRUCTIONS FOR TRUFLUSH ELECTRONIC DUAL FLUSH WALL PLATE

### TruFlush Model:

- TRF 8936-CP
- TRF 8924-CP
- TRF 8924-N-CP



### Sloan® India Private Limited - Limited Warranty Summary

Sloan India Private Limited ("Sloan"), warrants its products against defects in materials and workmanship, excluding damage caused by matters beyond Sloan's reasonable control. Instructions for filing claims can be found in the Limited Warranty which can be obtained at <https://www.sloan.com/company/international/sloan-india> or by requesting a free copy by telephone to Sloan India toll free number 1 800 123 3080 or via Mobile: +91 729 005 0961 or via Landline : +91 124 601 3333. Sloan will repair or replace your defective product, or provide a refund, as your exclusive remedy.

This is only a general summary of Sloan's Limited Warranty so it is important to note that the specific terms, conditions, limitations and exclusions, including the duration of warranty coverage for your particular Sloan product, are contained in the actual Sloan Limited Warranty. The Limited Warranty is subject to applicable laws in your country, state, province or other jurisdiction—and disputes arising under the Limited Warranty are to be resolved by binding arbitration unless you provide Sloan with an opt-out notice no later than 30 days after your purchase date. In case of a conflict with this summary, the terms and conditions set forth in the complete Limited Warranty will prevail.

## PRIOR TO INSTALLATION

This valve is designed for new construction or where there is easily accessed plumbing for the fixture and the valve.

This valve is designed for minimum six inch (152 mm) wall space depth. Distance from center of the valve (inlet or outlet pipe) to the finished surface of the wall can vary from 2"-3" (51-76 mm).

Wall plate opening must be of 5.6" x 5.6" (142 x 142 mm). Mud plate is provided and must accompany valve for proper installation. Mud plate is removed after wall is finished.

## TOOLS REQUIRED FOR INSTALLATION



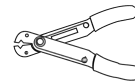
- Phillips screwdriver



- Adjusting tool (supplied)



- Flathead screwdriver .118" (3 mm or below)



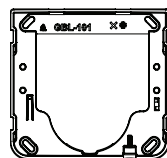
- Wire stripper tool

## ITEMS INCLUDED WITH THE PRODUCT

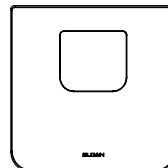
### WALL PLATE BOX

1. Wall Bracket
2. Wall Plate
3. Sensor Assembly
4. Battery Pack
5. (4) Batteries
6. (4) #8-32 x 2 Screws
7. Allen Key
8. Installation instructions

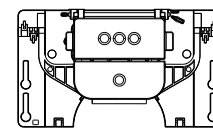
1. Wall Bracket



2. Wall Plate



3. PCB Assembly



4. Battery Pack



5. (4) Batteries



6. (4) #8-32 x 2 Screws



7. Allen Key



8. Instructions

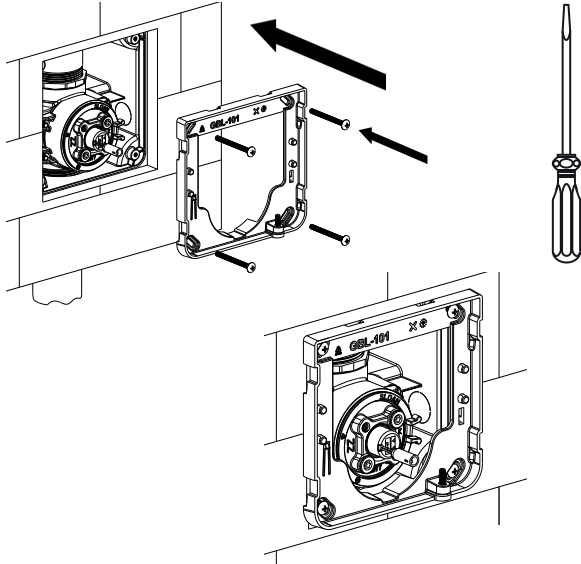


# 1. CONNECT FLUSHOMETER

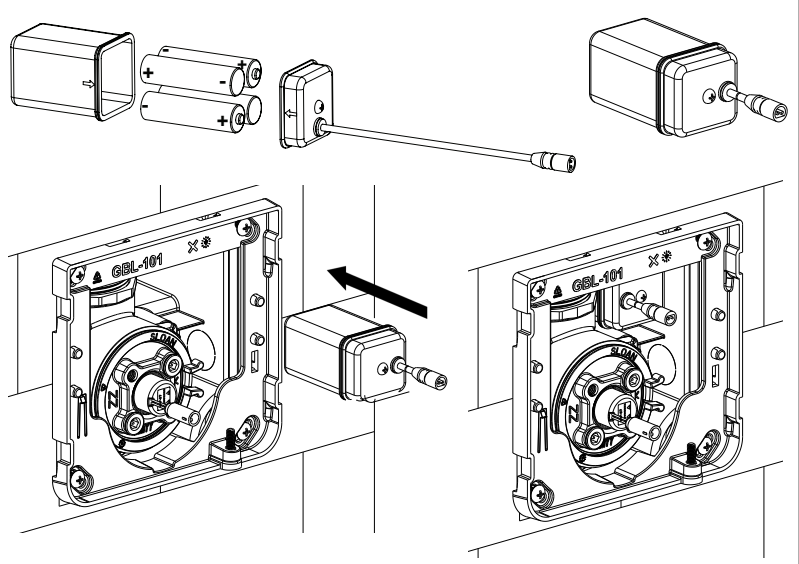
Refer Valve Assembly Installation Manual as per the Valve Selection Guide.

# 2. INSTALL WALL PLATE ASSEMBLY

1. Remove the mudguard by unscrewing the two screws and **discard the mudguard**
2. Mount the Wall Bracket to valve and secure it using the #8-32 x 2 Screws (Supplied).

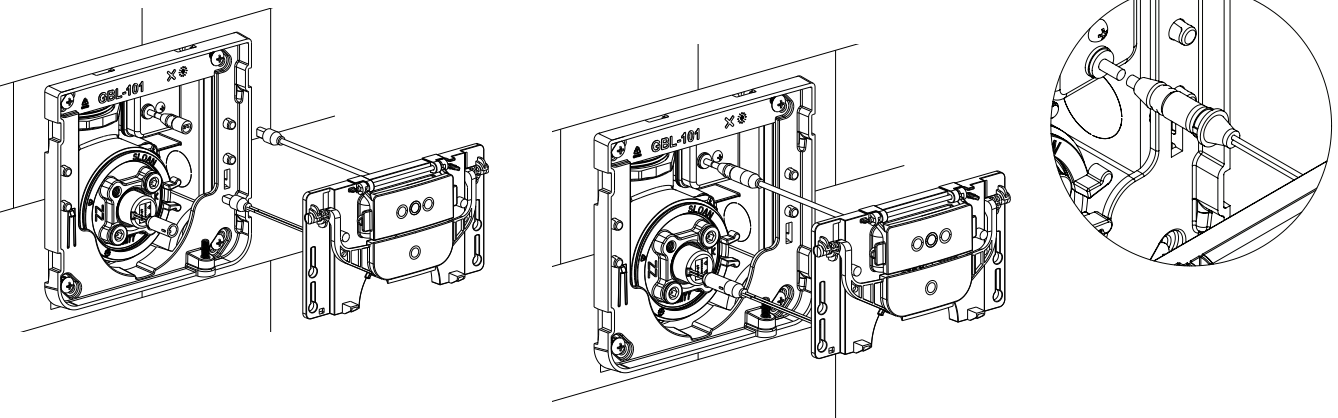


3. Open the battery package (supplied) by unscrewing the lid screw, insert the batteries (4Nos, Supplied) into the battery package as shown and close the lid by tightening the screw.
4. Insert the battery package on right side of valve as shown.



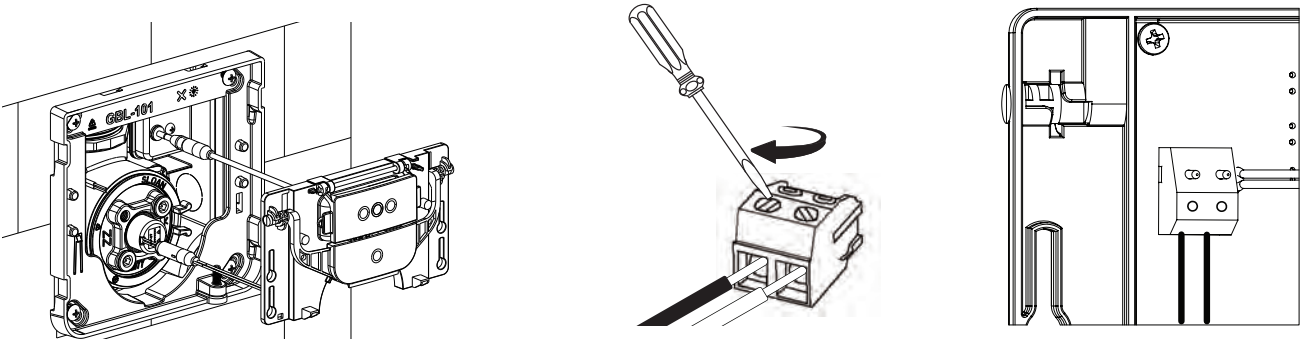
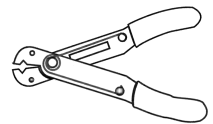
5. Connect the battery box black connector to black connector on PCB assembly, Connect Solenoid grey connector to grey connector on PCB assembly.

**NOTE: RED LED WILL START BLINKING WHEN POWER IS CONNECTED TO THE PCB ASSEMBLY, WAIT FOR THE LED TO FINISH BLINKING.**

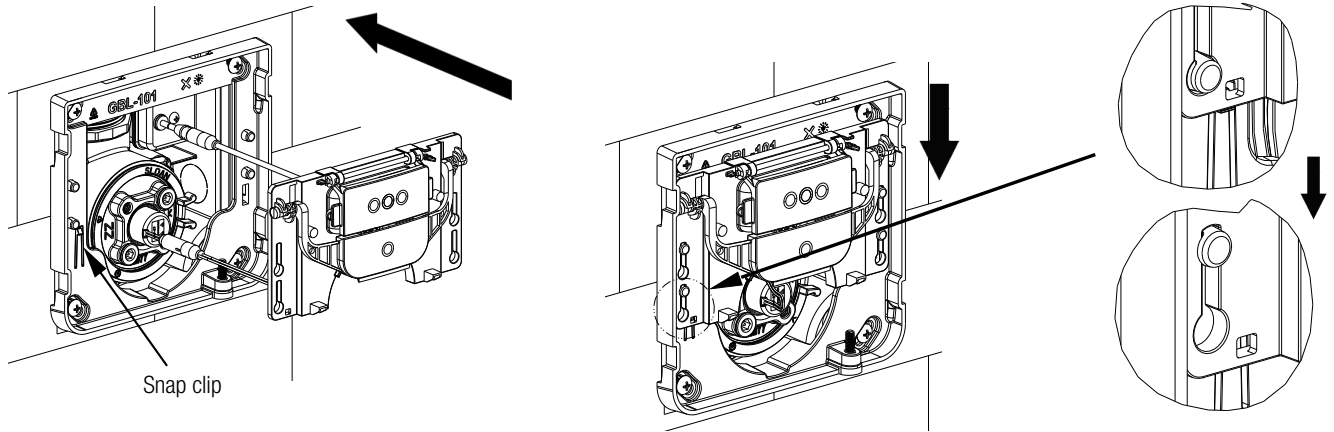


## !!! ONLY FOR HARDWIRE CONNECTION !!!

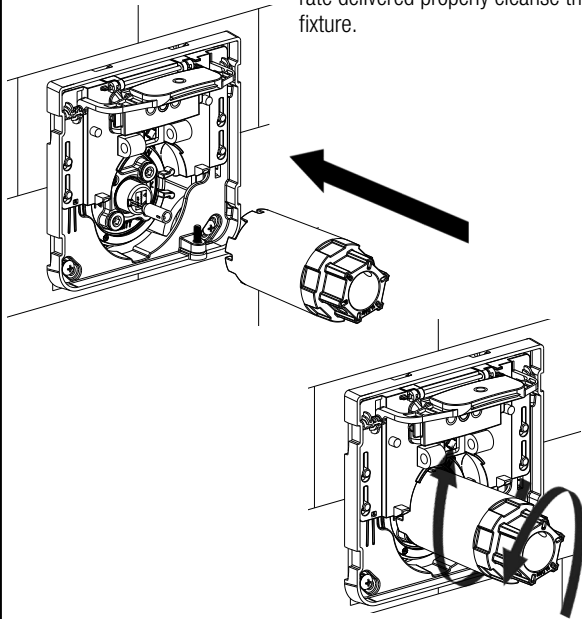
- 5a. Using the wire stripping tool strip, the ends of the transformer wire that was routed when installing the valve.
- 5b. Insert wire in blue terminal block and tighten the terminal screws.
- 5c. Connect the terminal block to the PCB assembly as shown.



6. Align the 4 slots on the PCB Assembly with the mounting pegs on the Wall Bracket and slide the PCB assembly all the way down.

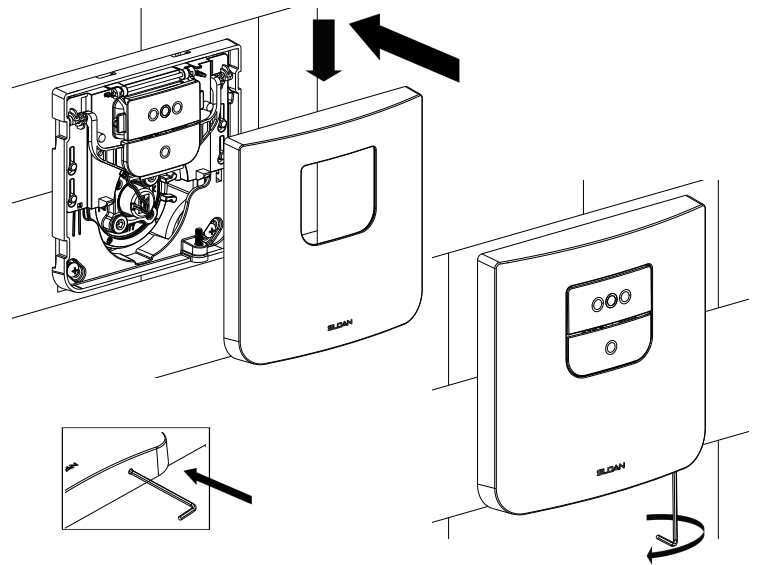


7. Disconnect the Solenoid Connector and lift the button as shown, Use the tool to turn the activation assembly **clockwise** (to lessen the flow) or **anticlockwise** (to increase the flow).
8. Reconnect the solenoid and check the flow by flushing, repeat **step 7** to adjust the flow until the flow rate delivered properly cleanse the fixture.



9. Make sure the retaining screw is fully tightened, slide the PCB assembly all the way up and align the wall plate cutout with PCB assembly as shown.
10. Push the wall plate all the way in then slide the wall plate down.
11. Use the allen key (supplied) to unscrew the retaining screw until it touches the wall plate then make sure the wall plate is completely fixed.

**NOTE: DO NOT UNSCREW ANYMORE ONCE THE RETAINING SCREW TOUCHES WALL PLATE**



**!!! NOTE !!!**

**MAKE SURE SOLENOID CONNECTOR GOES THROUGH THE CENTER OF THE ADJUSTING TOOL TO AVOID DAMAGE TO THE CABLE.**

**!!! NOTE !!!**

**MAKE SURE FLUSHOMETER SOLENOID CONNECTOR IS DISCONNECTED FROM SENSOR ASSEMBLY EVERY TIME BEFORE ROTATING ACTIVATION ASSEMBLY.**

**!!! NOTE !!!**

**UNDER NO CIRCUMSTANCES SHOULD THE SOLENOID BE REMOVED OR ADJUSTED.**

**!!! IMPORTANT !!!**

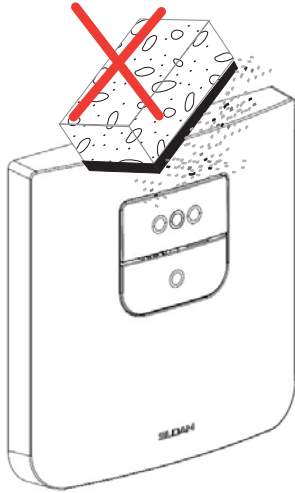
**THE FLUSHOMETER IS ENGINEERED FOR QUIET OPERATION. EXCESSIVE WATER FLOW CREATES NOISE, WHILE TOO LITTLE WATER FLOW MAY NOT SATISFY THE NEEDS OF THE FIXTURE. PROPER ADJUSTMENT IS MADE WHEN PLUMBING FIXTURE IS CLEANSER AFTER EACH FLUSH WITHOUT SPLASHING WATER OUT FROM THE LIP AND A QUIET FLUSHING CYCLE IS ACHIEVED.**

**!!! IMPORTANT !!!**

**THE ACTIVATION ASSEMBLY SHOULD NEVER BE OPENED TO THE POINT WHERE THE FLOW FROM THE VALVE EXCEEDS THE FLOW CAPABILITY OF THE FIXTURE. IN THE EVENT OF A VALVE FAILURE, THE FIXTURE MUST BE ABLE TO ACCOMMODATE A CONTINUOUS FLOW FROM THE VALVE.**

## CARE AND CLEANING

DO NOT use abrasive or chemical cleaners (including chlorine bleach) to clean Flushometers that may dull the luster and attack the chrome or special decorative finishes. Use ONLY mild soap and water, then wipe dry with clean cloth or towel. While cleaning the bathroom tile, protect the Flushometer from any splattering of cleaner. Acids and cleaning fluids will discolor or remove chrome plating.



### VALVE ASSEMBLY LESS PLATE SELECTION GUIDE

Code No.	Part No.	Description
34001003	TRF8036	TRF8036 Dual Flush 3/6 LPF Valve
34001011	TRF8024-N*	TRF8024-N HI EFFI (4 -4.5/2 -2.5 LPF)
34001012	TRF8036-N*	TRF8036 Dual Flush 3/6 LPF Valve
34001015	TRF8024	TRF8024 HI EFFI (4 -4.5/2 -2.5 LPF)

\*Part No."-N Refers to Valve Assembly For 32mm Plumbings.

**Valve Assembly Installation Manual, available on [www.sloan.in](http://www.sloan.in)**

**For complete listing of items available for repair, please consult Maintenance and Repair Guide.  
available on [www.sloan.in](http://www.sloan.in)**

Code No. 08160044

Rev. 2 (07/22)

**SLOAN INDIA PRIVATE LIMITED**

Manufactured by Sloan India Pvt. Ltd, patents pending.

© 2022 SLOAN

344, PHASE-II UDYOG VIHAR, GURGAON 122015 Phone: (+91) 124-6013300/33

Toll Free: 1800.123.3080 | [customercare@sloan.in](mailto:customercare@sloan.in) | [sloan.in](http://sloan.in) | copyright © 2021 Sloan All rights reserved