

INSTALLATION INSTRUCTIONS FOR OPTIMA® SYSTEM SENSOR ACTIVATED ROYAL® CONCEALED WITH SMALL WALL BOX AND TRUE MECHANICAL OVERRIDE FLUSHOMETERS



MODEL 152



MODEL 140



MODEL 153



MODEL 195

Concealed Closet Flushometers

1½" Rear Spud

Model 152 ES-S TMO SWB

1½" Exposed Rear Spud

Model 140 ES-S TMO SWB

1½" Top Spud

Model 153 ES-S TMO SWB

Concealed Urinal Flushometers

¾" Rear Spud

Model 195 ES-S TMO SWB



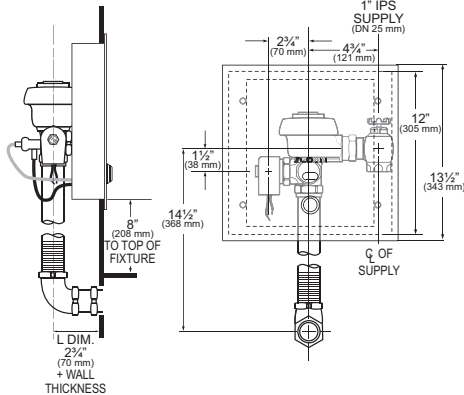
LIMITED WARRANTY

Unless otherwise noted, Sloan Valve Company warrants this product, manufactured and sold for commercial or industrial uses, to be free from defects in material and workmanship for a period of three (3) years (one (1) year for special finishes, SF faucets, PWT electronics and 30 days for PWT software) from date of first purchase. During this period, Sloan Valve Company will, at its option, repair, replace, or refund the purchase price of any product which fails to conform with this warranty under normal use and service. This shall be the sole and exclusive remedy under this warrant. Products must be returned to Sloan Valve Company, at customer's cost. No claims will be allowed for labor, transportation or other costs. This warranty extends only to persons or organizations who purchase Sloan Valve Company's products directly from Sloan Valve Company for purpose of resale. This warranty does not cover the life of the batteries.

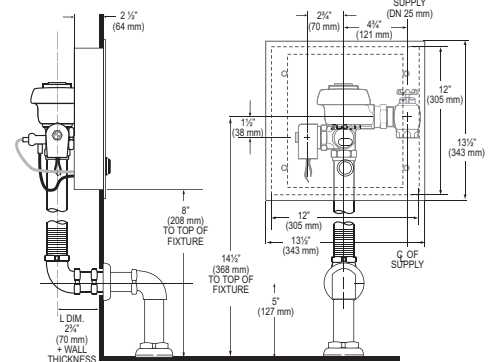
THERE ARE NO WARRANTIES WHICH EXTEND BEYOND THE DESCRIPTION ON THE FACE HEREOF. IN NO EVENT IS SLOAN VALVE COMPANY RESPONSIBLE FOR ANY CONSEQUENTIAL DAMAGES OF ANY MEASURE WHATSOEVER.

ROUGH-IN

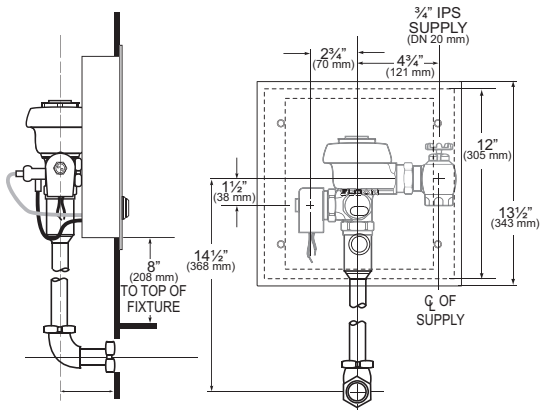
MODEL 152



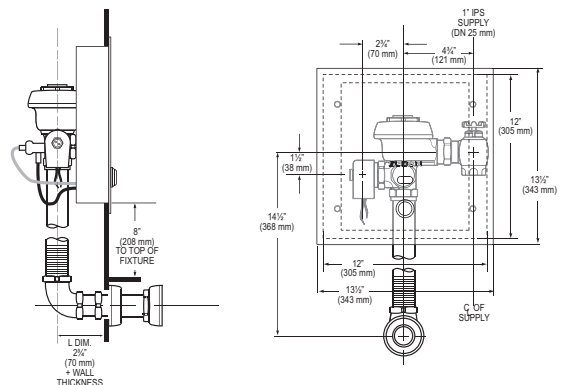
MODEL 153



MODEL 195



MODEL 140



± POSITION OF SENSOR BOX CAN BE RAISED OR LOWERED 1" (25 mm) IF IN CONFLICT WITH HANDICAP GRAB BARS.

PRIOR TO INSTALLATION

Check the "L" dimension show on the Flushometer package is correct for your application (available in lengths of 2" to 10¾"). Determine the "L" dimension for your application by using the following formula:

$$\text{"L" dimension} = \text{Wall Thickness (to nearest the whole inch)} + 2\text{-}3/4\text{" (69 mm)}$$

Prior to installation, install the items listed below:

- Electrical wiring to the transformer box (120 VAC, 2 amp service required for each EL-154, 24 VAC, 50 VA transformer used)
- Bore a 12" x 12" square hole into wall for wall box
- Bore a 2" (51 mm) opening in wall for piping (if required)
- Closet/Urinal fixture
- Water supply line
- Drain line

Important:

- **ALL PLUMBING AND ELECTRICAL WIRING SHOULD BE INSTALLED IN ACCORDANCE WITH APPLICABLE CODES AND REGULATIONS.**
- **WATER SUPPLY LINES MUST BE SIZED TO PROVIDE AN ADEQUATE VOLUME OF WATER FOR EACH FIXTURE.**
- **A 24 VAC STEP-DOWN TRANSFORMER MUST BE USED.**
- **WHEN INSTALLING A FLUSHOMETER, IT IS IMPORTANT THAT THE FLUSH MODEL MATCHES THE REQUIREMENTS OF THE PLUMBING FIXTURE.**
- **FLUSH ALL WATER LINES PRIOR TO MAKING CONNECTIONS.**

Sloan Flushometers are designed to operate with 15 to 100 psi (104 to 689 kPa) of water pressure. **THE MINIMUM PRESSURE REQUIRED TO THE VALVE IS DETERMINED BY THE TYPE OF FIXTURE SELECTED.**

Consult fixture manufacturer for minimum pressure requirements. Most Low Consumption water closets (1.6 gallon/6.0 liter) require a minimum flowing pressure of 25 psi (172 kPa).

Protect the finish of this Flushometer — **DO NOT USE TOOTHED TOOLS TO INSTALL OR SERVICE THE VALVE.**

IMPORTANT: EXCEPT FOR CONTROL STOP INLET, DO NOT USE PIPE SEALANT OR PLUMBING GREASE ON ANY VALVE COMPONENT OR COUPLING!

Transformer Installation

Install Transformer (EL-154) on a 2-Gang Electrical Box, 4" x 4" x 2-1/2" (102 mm x 102 mm x 64 mm) in a convenient location; refer to the illustration at lower left side of this page (Figure 1).

Note: One Sloan EL-154 transformer can operate up to ten OPTIMA equipped Flushometers. Run 18-gauge wire from transformer to Flushometer(s). Wire supplied by others. DO NOT supply power to transformer until installation of Flushometer is complete.

Note: A maximum of ten (10) Flushometer units can operate from one (1) Sloan EL-154 Transformer, Class 2, UL Listed, 50 VA (min.) at 24 VAC, plate mounted.

Note: Break tiles to allow screw holes in plaster to show.

!!! IMPORTANT !!!

This product contains mechanical and/or electrical components that are subject to normal wear. These components should be checked on a regular basis and replaced as needed to maintain the valve's performance.

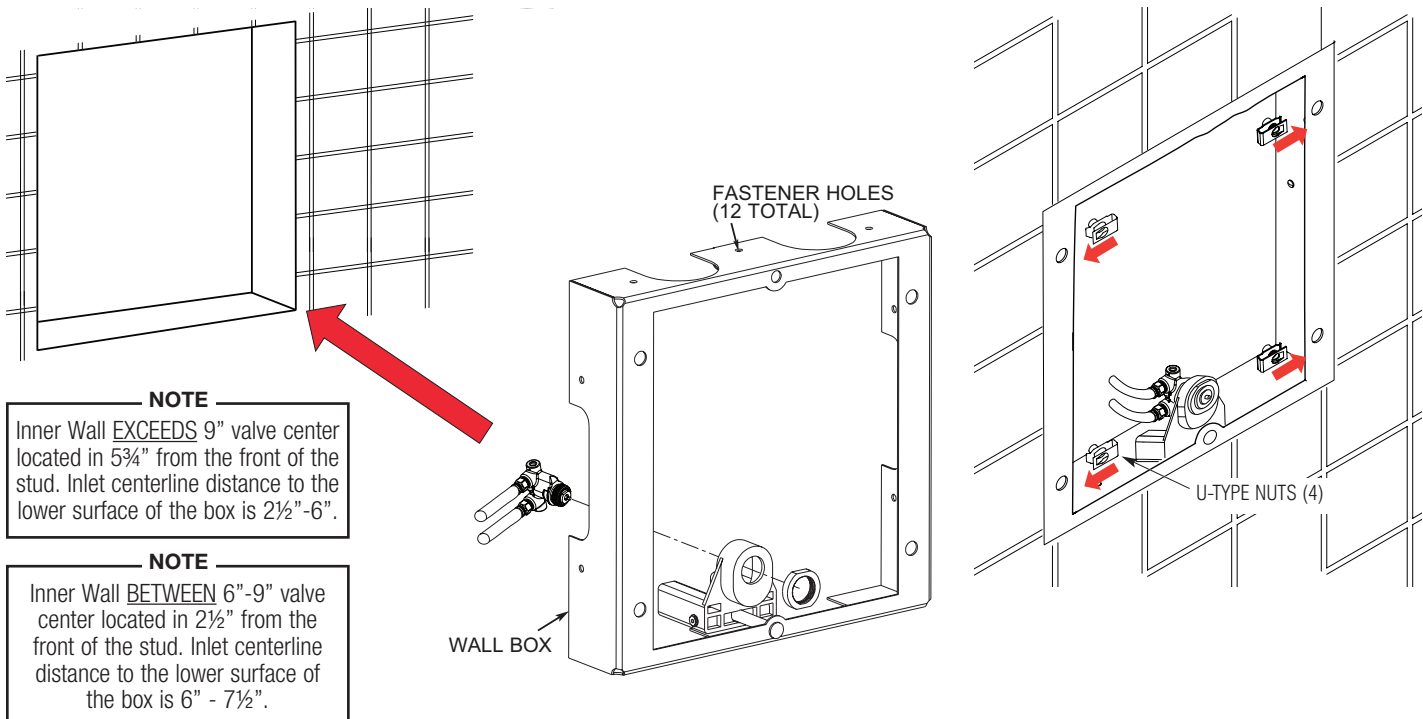
TOOLS REQUIRED FOR INSTALLATION

- Sloan A-50 "Super-Wrench™," Sloan A-109 Plier Wrench or smooth jawed spud wrench
- 8-32 x 3/4" drilled spanner head - spanner bit provided
- Slotted screwdriver
- Wire stripper/crimping tool
- 5/64" hex wrench (supplied)
- Parker Tube Cutter (PTC)

1 - INSTALL THE WALL BOX

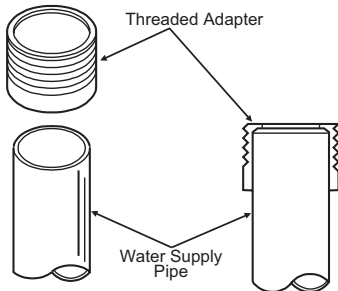
- A** Assemble Hydraulic Actuator Assembly into the locating carrier in the wall box frame. Install Wall Box in the exact location as illustrated in Figure 1. Secure using appropriate fasteners.

- B** Slide four (4) U-type Nuts onto frame at each hole location as shown.



2 - INSTALL OPTIONAL SWEAT SOLDER ADAPTER (ONLY IF SUPPLY PIPE DOES NOT HAVE A MALE THREAD), CONTROL STOP, AND VACUUM BREAKER FLUSH CONNECTION

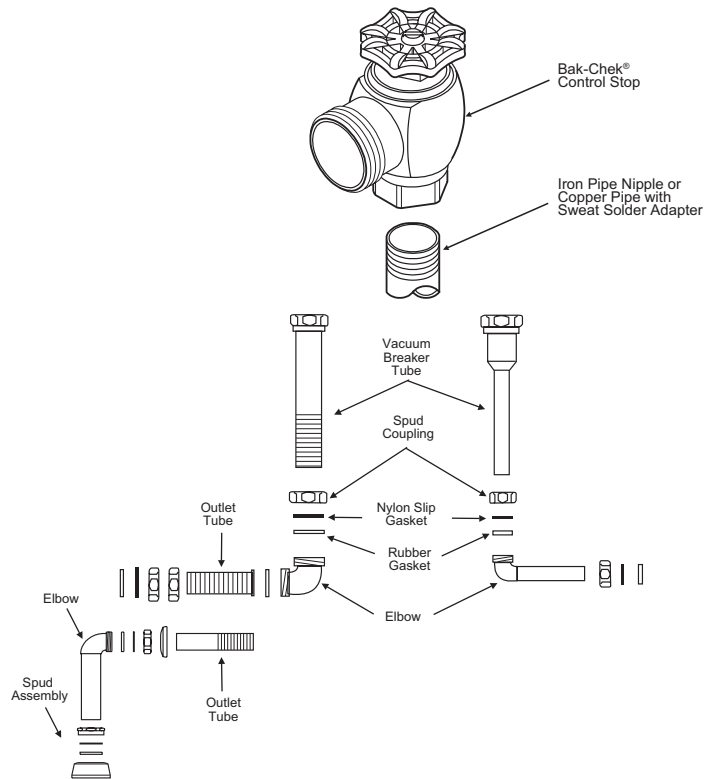
- A** To install the optional sweat solder adapter: Cut water supply line pipe 1-1/4" (32 mm) shorter. Slide Threaded Adapter fully onto pipe and sweat solder to pipe.
- B** Install the Sloan Bak-Chek® Control Stop to the water supply line with the outlet positioned as required.



- C** Assemble pipe, elbows, couplings, nylon slip gaskets, rubber gaskets, and flanges, as illustrated.
- D** Insert tube into fixture spud.
- E** Hand tighten all couplings.

!!! IMPORTANT !!!
Never open Control Stop to where the flow from the valve exceeds the flow capability of the fixture. In the event of a valve failure, the fixture must be able to accommodate a continuous flow from the valve.

!!! IMPORTANT !!!
With the exception of Control Stop Inlet, DO NOT use pipe sealant or plumbing grease on any valve component or coupling!



3 - INSTALL FLUSHOMETER

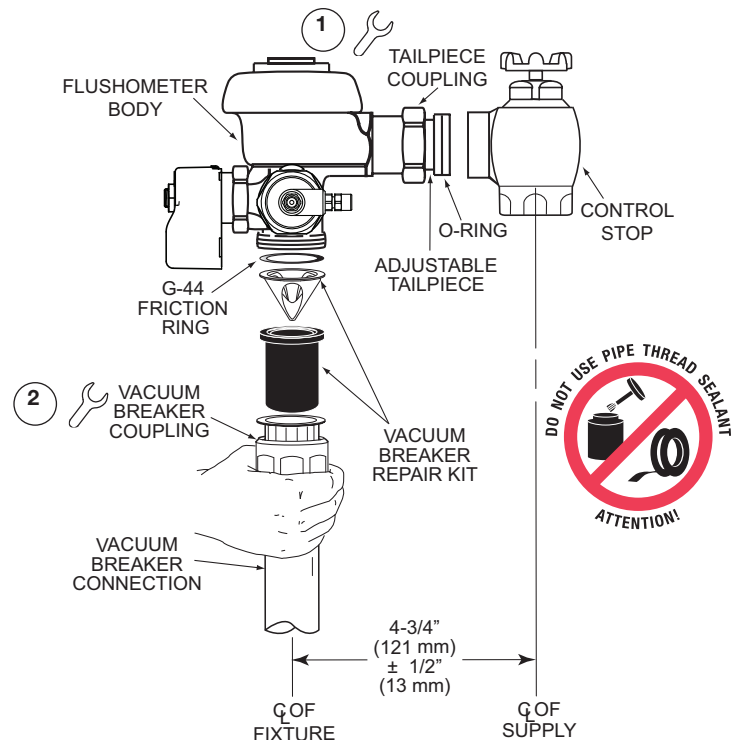
!!! IMPORTANT !!!
For high efficiency urinal flushometers (0.5, 0.25 and 0.125 gpf), it is necessary to first insert the flow control component into the tailpiece assembly. See the H1015A flow control kit and separate instructions for details on how to install.

- A** Lubricate tailpiece O-ring with water. Insert Adjustable Tailpiece into Control Stop. Tighten Tailpiece Coupling by hand.
- B** Align Flushometer directly above the Vacuum Breaker Flush Connection by sliding the Flushometer Body IN or OUT as needed. Tighten Vacuum Breaker Coupling by hand.
- C** Align Flushometer Body and securely tighten first the Tailpiece Coupling (1), then the Vacuum Breaker and Pipe Couplings (2), and finally the Spud Coupling. Use a wrench to tighten these couplings in the order shown.

NOTE

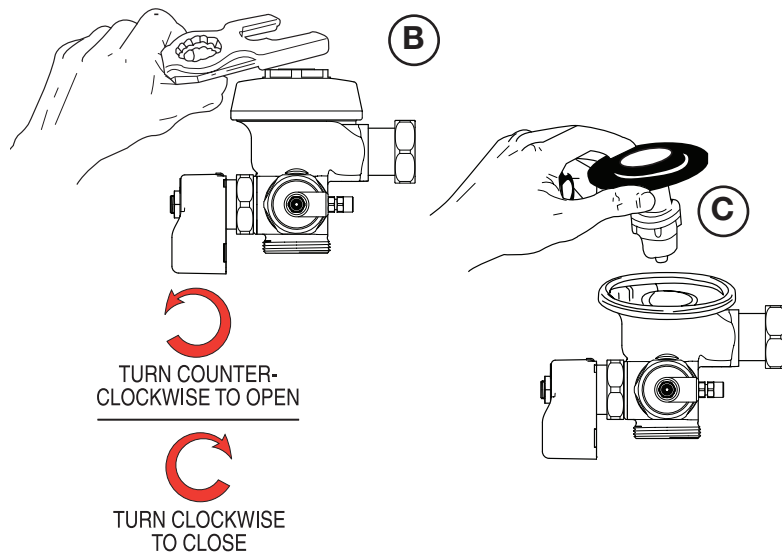
Max. adjustment of Sloan Adjustable Tailpiece is 1/2" (13 mm) IN or OUT from the standard 4 3/4" (121 mm) (Q of Valve to Q of Control Stop).
 If roughing-in measurement exceeds 5 1/4" (133 mm), consult factory for longer tailpiece.

!!! IMPORTANT !!!
Protect the chrome or special finish of Sloan Flushometers — DO NOT USE toothed tools to install or service these valves. Use a Sloan A-50 Super-Wrench™, Sloan A-109 Plier Wrench or smooth jawed spud wrench to secure all couplings. Also see "Care and Cleaning" section of this manual.



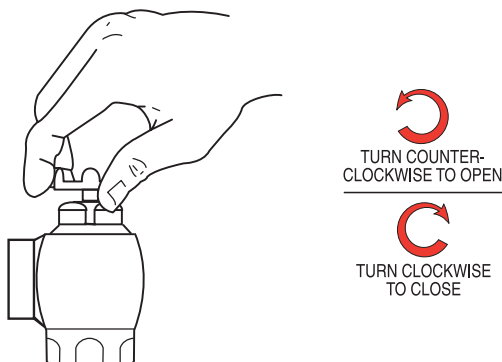
6 - FLUSH OUT SUPPLY LINE

- (A)** Make sure Control Stop is CLOSED.
- (B)** Remove Flushometer Cover and lift out Inside Parts Assembly. Install Flushometer Cover wrench tight.
- (C)** Open Control Stop. Turn on water supply to flush line of any debris or sediment.
- (D)** Shut off Control Stop, remove Cover and reinstall Inside Parts Assembly. Install Flushometer Cover wrench tight. Do Not open Control Stop until Step 7.



7 - TURN WATER ON AND ADJUST CONTROL STOP

- (A)** Adjust Control Stop to meet the flow rate required for proper cleansing of the fixture. Open Control Stop COUNTERCLOCKWISE one (1) FULL turn from the closed position.
- (C)** Adjust Control Stop after each flush until the rate of flow delivered properly cleanses the fixture.



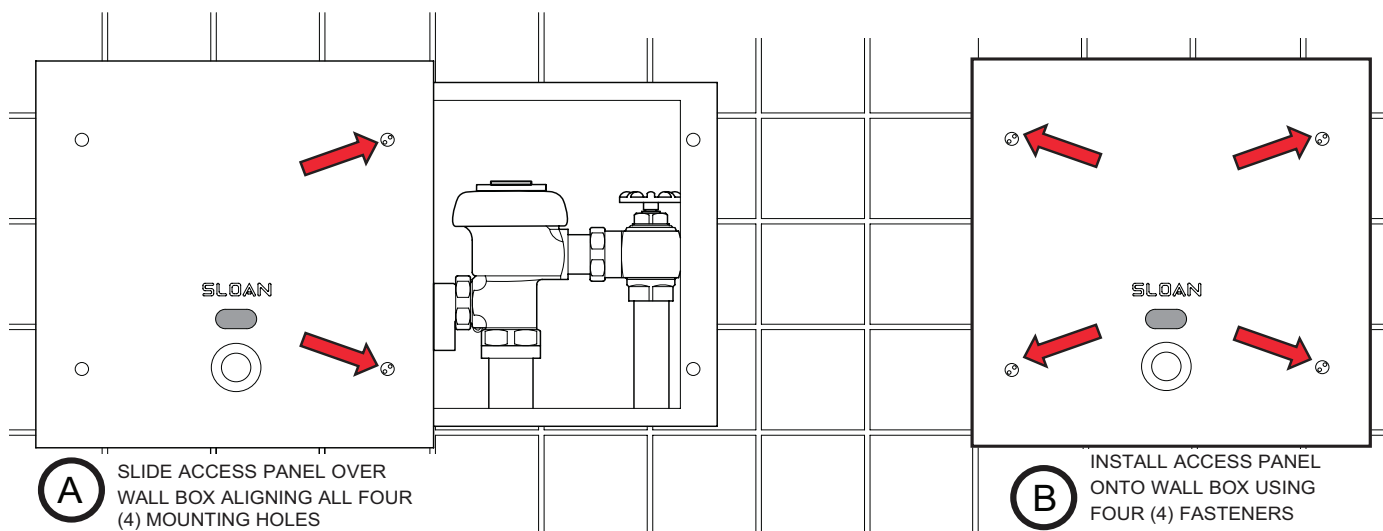
!!! IMPORTANT !!!

All Sloan Flushometers are engineered for quiet operation. Excessive water flow creates noise, while too little water flow may not satisfy the needs of the fixture. Proper adjustment is made when plumbing fixture is cleaned after each flush without splashing water out from the lip AND a quiet flushing cycle is achieved.

Never open Control Stop to where the flow from the valve exceeds the flow capability of the fixture. In the event of a valve failure, the fixture must be able to accommodate a continuous flow from the valve.

- (B)** Activate Flushometer by placing hand in front of OPTIMA Sensor Lens for ten (10) seconds and then moving it away.

8 - INSTALL ACCESS PANEL



- (A)** SLIDE ACCESS PANEL OVER WALL BOX ALIGNING ALL FOUR (4) MOUNTING HOLES

- (B)** INSTALL ACCESS PANEL ONTO WALL BOX USING FOUR (4) FASTENERS

9 - TEST SENSOR OPERATION

A Remove the tape located over the sensor window to activate.

The Flushometer has a factory set sensing range:

Water Closets: 22" to 42" (559 mm to 1067 mm)

Urinals: 15" to 30" (381 mm to 762 mm)

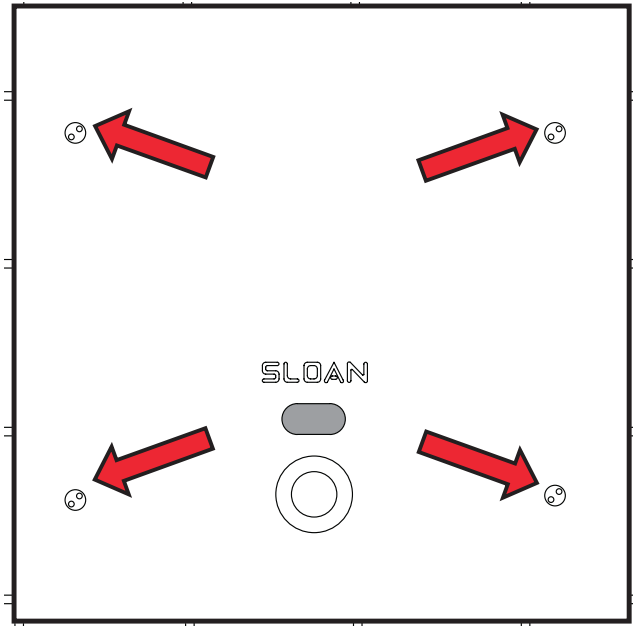
B For the first ten (10) minutes of operation, a Visible Light flashes in the Sensing Window of the Flushometer when a user is detected.

C Stand in front of Sensor for sixteen (16) seconds closet/eight (8) seconds urinal.

D Step away from Sensor and listen for "CLICK."

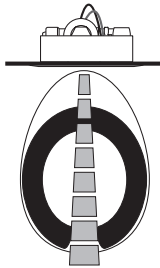
NOTE

The factory setting should be satisfactory for most installations.

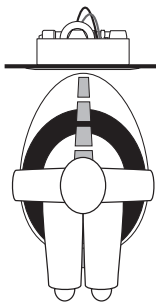


OPERATION

1. A continuous, invisible light beam is emitted from the OPTIMA Sensor.

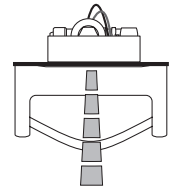
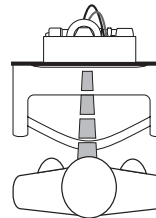
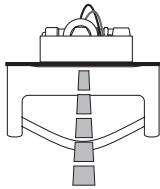
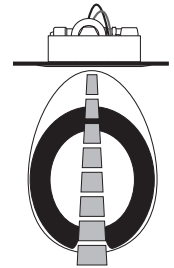


2. When a user enters the beam's effective range, for water closets 22" - 42" (559 mm - 1067 mm) and for urinals 15" - 30" (381 mm - 762 mm), the beam is reflected into the OPTIMA's scanning window and transformed into a low voltage electrical signal that activates a sixteen (16) second closet/eight (8) second urinal time delay circuit. The time delay circuit eliminates false operation from passers-by in the rest room. Once the time delay is completed, the output circuit is alerted and continues in a "hold" mode for as long as the user remains within



the effective range of the sensor.

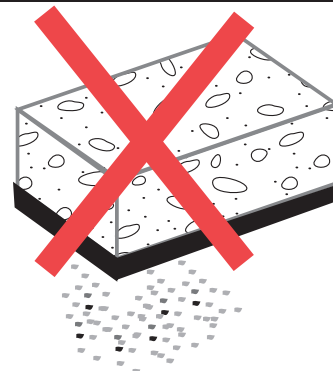
3. When the user steps away from the OPTIMA Sensor, the loss of reflected light initiates an electrical "one-time" signal that energizes the Solenoid Operator, and activates the Flushometer to flush the fixture. This occurs on the water closet approximately three (3) seconds after indication. This delay is built into the Sensor to help prevent false flushing due to movement by the user. The circuit for both water closets and urinals then automatically resets and is ready for the next user.



CARE AND CLEANING

DO NOT use abrasive or chemical cleaners (including chlorine bleach) to clean Flushometer and wall box panel as they may dull the luster and attack the chrome and/or special decorative finishes. Use **ONLY** soap and water, then wipe dry with clean cloth or towel.

While cleaning the bathroom tile, the Flushometer should be protected from any splattering of cleaner. Acids and cleaning fluids can discolor or remove chrome plating.



TROUBLESHOOTING GUIDE

NOTE: Upon detection of the user, the red indicator light flashes slowly for a period of eight seconds. When the user leaves the detection range, the indicator light flashes rapidly and the Sensor initiates the flush sequence. Then the indicator light stops flashing and the valve flushes. The valve will flush after a three-second delay.

1. Valve does not function (red light does not flash when user steps in front of sensor).

- A. No power is being supplied to sensor. Ensure that the main power is turned "ON." Check transformer, leads and connections. Repair or replace as necessary.
- B. EL-1500-L Sensor is not operating. Replace the EL-1500-L Sensor.

2. Valve does not function (red light flashes when user steps in front of sensor).

A. Red light stops flashing when user steps away and valve makes a "clicking" sound but does not flush.

- a. No water is being supplied to the valve. Make certain that the water supply is turned "ON" and the Control Stop is open. No power is being supplied to sensor. Ensure that the main power is turned "ON." Check transformer, leads and connections. Repair or replace as necessary.
- b. EL-128-A cartridge is fouled or jammed. Turn electronic power to valve "OFF" (failure to do so could result in damage to the solenoid coil. Remove the solenoid operator from the valve and remove the EL-128-A cartridge. Clean and/or repair as necessary.

B. The red light stops flashing when user steps away but the valve does

NOT make a "clicking" sound and does NOT flush.

- a. EL-163-A solenoid shaft assembly is fouled or jammed. Turn electronic power to valve "OFF" (failure to do so could result in damage to the solenoid coil). Remove EL-101 or EL-166 nut from the solenoid operator. Remove the coil from the solenoid operator. Use a spanner wrench or pliers to remove the EL-163-A solenoid shaft assembly from valve. Clean and/or replace as necessary. Be sure to replace plunger spring when reassembling Solenoid Shaft Assembly.

C. The red light flashes three (3) short flashes, three (3) long flashes then three (3) short flashes ("S-O-S") and continues to repeat this cycle even when user steps out of the sensor's detection range.

- a. EL-1500-L Sensor wiring connections are incorrect. Rewire Sensor to valve. One solenoid lead connects to the "TO VALVE" connection on Sensor. One transformer lead connects to the "24 VAC IN" connection on Sensor. Second solenoid lead and second transformer lead connect together.
- b. Wiring to Sensor is ground shorted. Find short in wiring circuit and correct.
- c. EL-165-2 solenoid coil is burnt out or coil is not connected to solenoid plunger shaft. Reinstall or replace coil as necessary.

3. Volume of water is insufficient to adequately siphon fixture.

- A. Control Stop is not open wide enough. Adjust control stop for desired water delivery.
- B. Low Consumption unit is installed on Water Saver or Conventional fixture. Replace Diaphragm component parts of valve with kit that corresponds to appropriate flush volume of fixture.
- C. Inadequate water volume or pressure available from supply. Increase pressure or supply (flow rate) to the valve. Consult factory for assistance.

4. Length of flush is too long (long flushing) or valve fails to shut off.

- A. Water Saver valve is installed on Low Consumption fixture. Replace Diaphragm component parts of valve with kit that corresponds to appropriate flush volume of fixture.
- B. Relief valve in diaphragm is not seated properly or bypass hole in diaphragm is clogged. Disassemble inside Diaphragm component parts and wash parts thoroughly. Replace worn parts if necessary.

5. Water splashes from fixture.

- A. Supply flow rate is more than necessary. Adjust Control Stop to meet flow rate required for proper cleansing of the fixture.

6. Leakage occurring at the push button.

- A. Damaged or worn seals or lime build up in the actuator cartridge. Replace with new HY-32-A cartridge.

7. The flushometer does not flush or flushes only once and will not flush a

second time when the button is pushed.

- A. The plunger is lodged in the actuator cartridge or the plunger by-pass hole is clogged. Remove the actuator housing and cartridge from the Flushometer. Clean under running water. If cartridge parts are worn, deteriorated or limed up and problem persists after cleaning, replace with new HY-83-A cartridge.
 - a. Turn off water at the control stop.
 - b. Unscrew the housing coupling nut from the Flushometer.
 - c. Remove the actuator housing from the Flushometer. The tubing connections can be left intact.
 - d. Remove the actuator cartridge from the Flushometer body. Care should be taken so that upon removal the actuator does not abruptly separate due to spring compression within. If the actuator cartridge is lodged in the body cavity, grip the exposed portion gently with a pair of channel-lock pliers and rotate back and forth to loosen the "O" ring seal.
 - e. Separate the actuator housing to reveal the spring and plunger.
- B. Plastic Tubing Installed Incorrectly. Install Plastic Tubing Correctly.

8. The Flushometer does not flush and a small amount of leakage is visible below the valve.

- A. Foreign material lodged in the cartridge. Remove the cartridge and inspect for foreign material. Clean under running water.
- B. Damaged or worn seals or lime build up in the actuator cartridge. Replace with new HY-32-A cartridge.
 - a. Remove the button or actuator assembly from the wall or fixture.
 - b. Disassemble the flange or button assembly from the actuator body.
 - c. Unscrew the cartridge from the actuator body. Note: The metal push button was designed to be vandal-proof and thus requires removal from the wall for servicing.
- C. Plastic Tubing installed incorrectly. Install Plastic Tubing Correctly.

If further assistance is required, please contact Sloan Tech Support at:

**1-888-SLOAN-14 (1-888-756-2614)
or visit us online at www.sloan.com**

!!! IMPORTANT !!!

THIS PRODUCT CONTAINS MECHANICAL AND/OR ELECTRICAL COMPONENTS THAT ARE SUBJECT TO NORMAL WEAR. THESE COMPONENTS SHOULD BE CHECK ON A REGULAR BASIS AND REPLACED AS NEEDED TO MAINTAIN THE VALVE'S PERFORMANCE.

!!! IMPORTANT !!!

NEVER OPEN CONTROL STOP TO WHERE THE FLOW FROM THE VALVE EXCEEDS THE FLOW CAPABILITY OF THE FIXTURE. IN THE EVENT OF A VALVE FAILURE, THE FIXTURE MUST BE ABLE TO ACCOMMODATE A CONTINUOUS FLOW FROM THE VALVE.

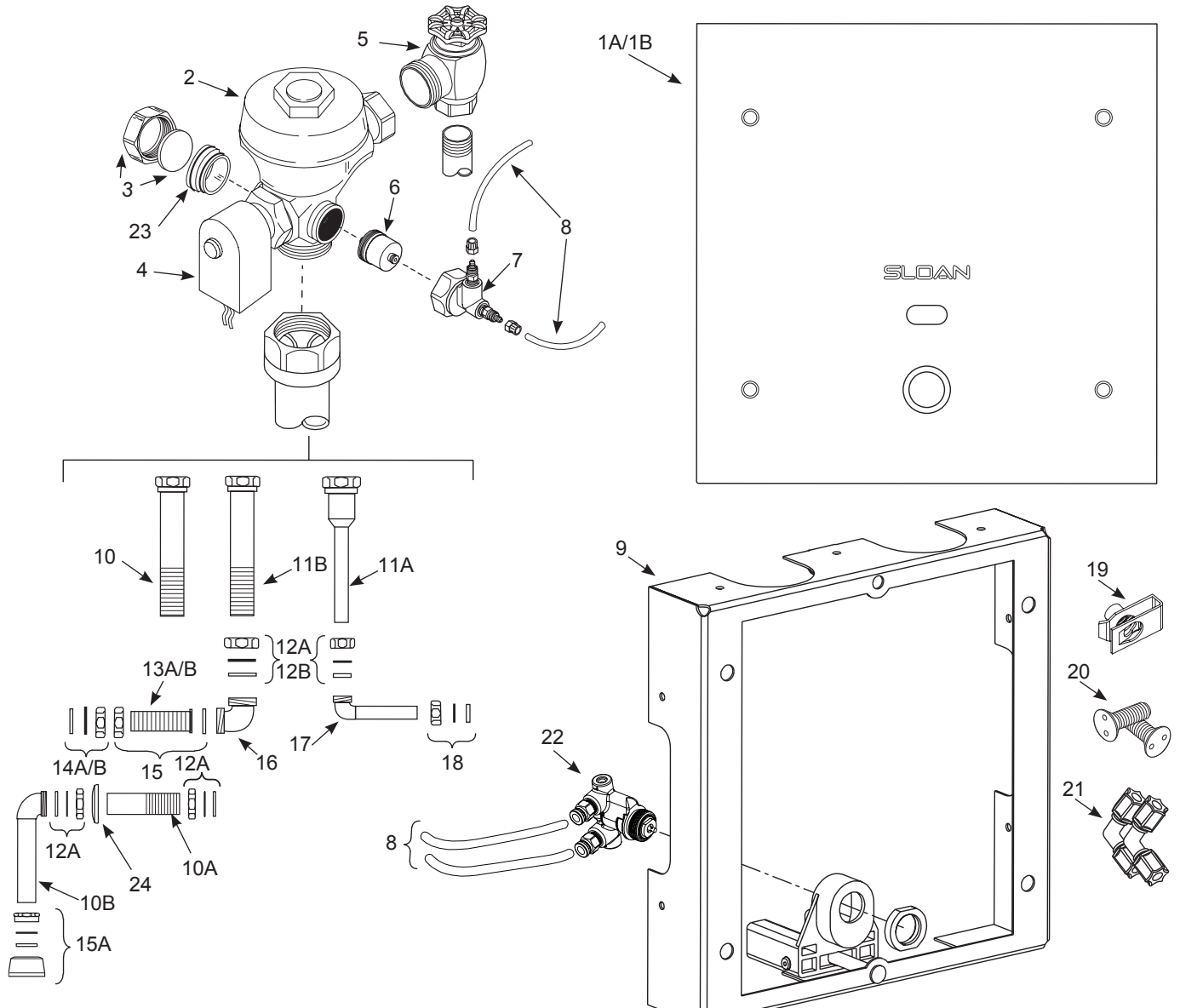
!!! IMPORTANT !!!

WITH THE EXCEPTION OF CONTROL STOP INLET, DO NOT USE PIPE SEALANT OR PLUMBING GREASE ON ANY VALVE COMPONENT OR COUPLING

!!! IMPORTANT !!!

LAWS AND REGULATIONS PROHIBIT THE USE OF HIGHER FLUSHING VOLUMES THAN LISTED ON FIXTURE OR FLUSHOMETER

PARTS LIST



Item No.	Part No.	Description
1A	WB-55-A	Wall Box Cover Plate Assembly (Models 152 & 153)
1B	WB-60-A	Wall Box Cover Plate Assembly (Model 195)
2	‡	Valve Assembly
3	A-1013-A	Concealed Valve Handle Cap RB
4	EL-138-2	RB Concealed 24V Solenoid Assembly
5	H-730-A	RB Bak-Chek® Control Stop
6	HY-83-A	Actuator Cartridge
7	HY-109-A-1	Valve Actuator Assembly
8	HY-30	¼" (6 mm) x 48" (1219 mm) Connecting Tubes
9	--	12" x 12" x 4" Wall Box Assembly
10	V-500-AA	1½" (38 mm) Vacuum Breaker Assembly RB (Models 152 & 153)
10A	F-102	1½" (38 mm) Outlet Tube CP (Model 153)
10B	F-15-A	1½" (38 mm) Elbow Assembly CP (Model 153)
11A	V-500-AA	¾" (19 mm) Vacuum Breaker Assembly RB (Model 192)
11B	V-500-AA	1½" (38 mm) Vac. Breaker (Model 140)
12A	F-2-AA	1½" (38 mm) Slip Joint Coupling Assembly RB (Models 152, 153 & 140)
12B	F-2-AW	¾" (19 mm) Slip Joint Coupling Assembly RB (Model 192)
13A	F-110	1¼" (32 mm) Outlet Tube Flanged and Scored (Model 152)

Item No.	Part No.	Description
13B	F-100	1½" (38 mm) Outlet Tube Flanged and Scored (Model 152)
14A	F-2-AU	1¼" (32 mm) Slip Joint Coupling Assembly RB (Model 152)
14B	F-2-AT	1½" (38 mm) Slip Joint Coupling Assembly RB (Model 152)
15	F-2-A	1½" (38 mm) Coupling with S-21 Gasket (Model 152 & 140)†
15A	F-5-A	1½" (38 mm) Spud Coupling Assembly (Model 153 & 140)
16	F-21	1½" (38 mm) Double Male Slip Joint Elbow
17	F-15-A	ELL with ¾" (19 mm) Tail (Model 195)†
18	F-2-AW	¾" (19 mm) Slip Joint Coupling
19	WB-18	U-Type Nuts (4) ¼-20
20	WB-49	Tamper Resistant Screws (4) ¼-20 x 1½
21	HY-126	Elbow Fitting (2)
22	HY-71-A	Hydraulic Actuator Assembly
23	EL-190-A	Adapter Assembly
24	F-7	Flange CP (Model 153 & 140)

† "L" Dimension available between the lengths of 2" and 10¾"
‡ Part number varies with valve model variation; consult factory.

SLOAN • 10500 SEYMOUR AVENUE • FRANKLIN PARK, IL 60131

Phone: 1-800-982-5839 or 1-847-671-4300 • Fax: 1-800-447-8329 or 1-847-671-4380 • www.sloan.com