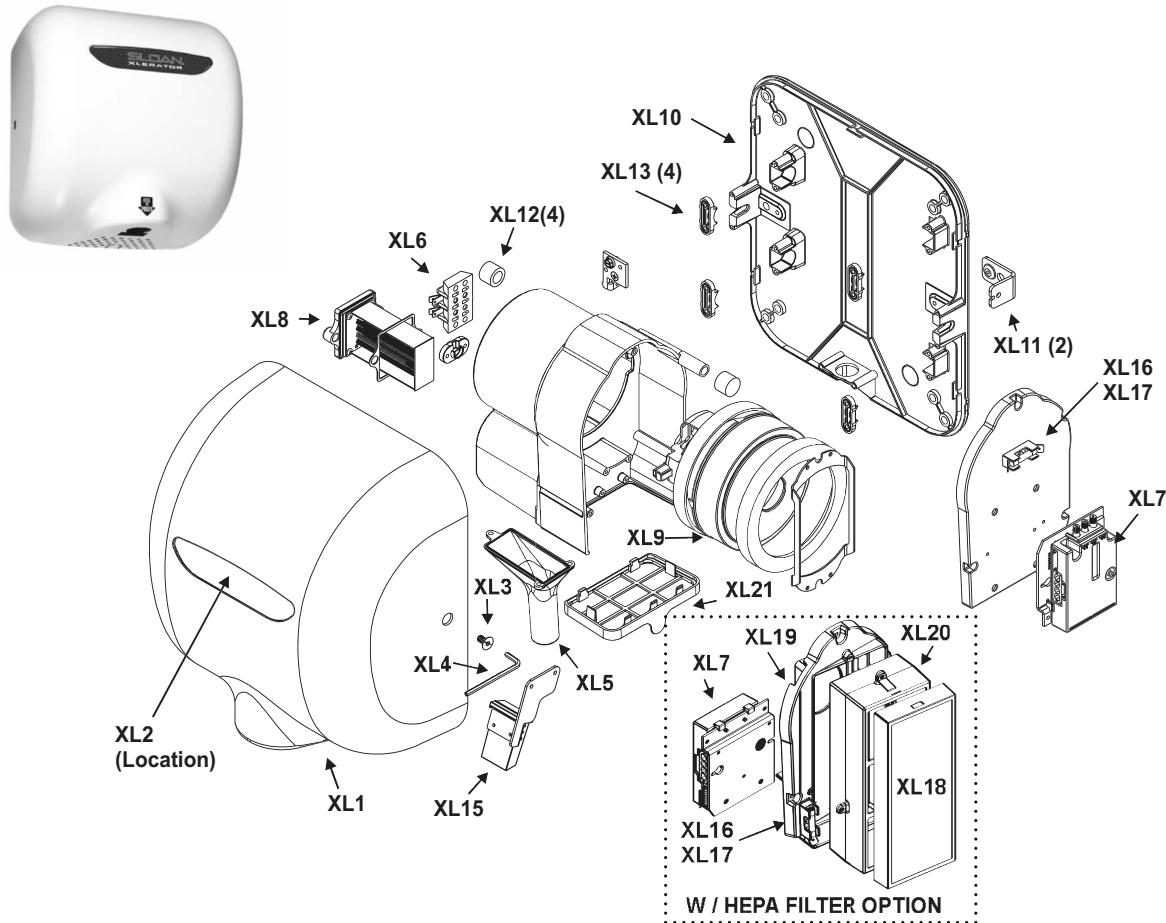


# EHD-501 Hand Dryer



**PARTS LIST—SENSOR-ACTIVATED, DECK-MOUNT  
FOAM SOAP DISPENSER**

Ref. No.	Description
XL1.	Cover (includes Nameplate)
XL2.	Nameplate
XL3.	Tamper-proof Bolt
XL4.	Tamper-proof Wrench
XL5.	Air Outlet (includes gasket)
XL6.	Terminal Block (includes screws)
XL7.	Control Assembly & Sensor
XL8.	Heating Element Assembly*
XL9.	Motor
XL10.	Base Plate Assembly
XL11.	Cover Mounting Brackets
XL12.	Housing Grommet
XL13.	Housing Retainer
XL15.	Optics Assembly (Sensor)
XL16.	Fuseholder (if so equipped)
XL17.	Fuse (if so equipped)
XL18.	HEPA Pre-Filter**
XL19.	HEPA Filter Adapter**
XL20.	HEPA Filter**
XL21.	Pre-Filter

\*does not apply to XLERATOReco models

\*\*Only applies to HEPA models