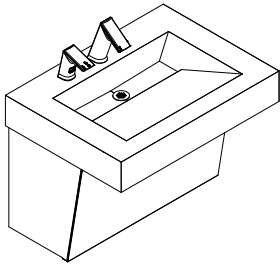
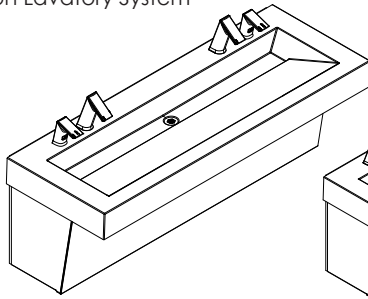


Sloan Sink Systems Designer Series, ELGR

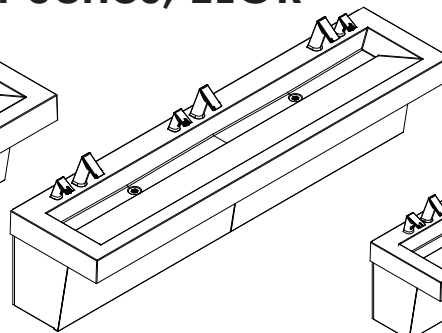
One, Two, Three and Four Station Lavatory System



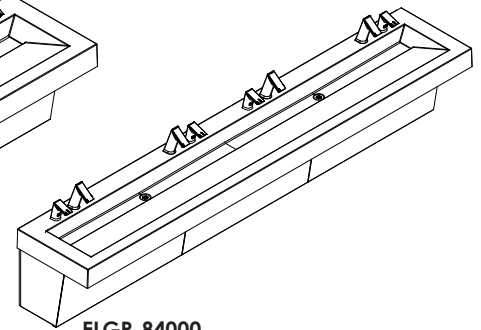
ELGR-81000
Deck Sink Lavatory System



ELGR-82000
Deck Sink Lavatory System



ELGR-83000
Deck Sink Lavatory System



ELGR-84000
Deck Sink Lavatory System

⚠ Important



Read this entire installation manual to ensure proper installation. When finished with the installation, file this manual with the owner or maintenance department.

Compliance and conformity to local codes and ordinances is the responsibility of the installers.



Separate parts from packaging and make sure all parts are accounted for before discarding any packaging material. If any parts are missing, do not begin installation until all parts are obtained.



Make sure that all water supply lines have been flushed and completely turned off before starting the installation. Debris in supply lines can cause valves to malfunction.



Turn off electrical power to the electrical outlets, then unplug units prior to installation. Electrical power **MUST** remain off until installation is complete.



Installer's hardware must be appropriate for wall construction. Wall anchors and mounting fasteners **MUST** have a minimum pull-out rating of 1,000 lbs for 3/8" hole.



For standard height mounting, **DO NOT** exceed the recommended 34 inch distance from the top of the sink deck to the finished floor. To meet ADA requirements the sink deck cannot not exceed the 34 inch maximum height dimension.



Wear all proper safety equipment prior to installation

Tools and Supplies Required for Installation

- Electric drill for drilling anchor holes
- Standard sockets, basin wrench, and open end wrench set for installing anchoring fasteners and faucets
- Pipe wrench for installing drain lines
- Phillips and straight blade screwdrivers
- Tubing cutter
- Level
- Carpenter's square
- Caulk gun
- 1/2" NPT hot/cold or tempered supply piping
- 1 1/2" NPT drain piping including p-trap
- Adhesive: Loctite® PL Premium® FAST GRAB Polyurethane Construction Adhesive, or equivalent
- 110 volt GFCI protected electrical outlet for 100-120 VAC plug-in transformer
- Screen filter(s) included with faucet(s)
- Backing supplied by others to meet local codes

Prior to Installation

CAUTION:

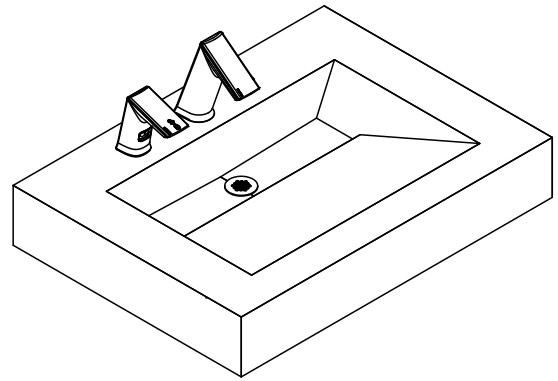
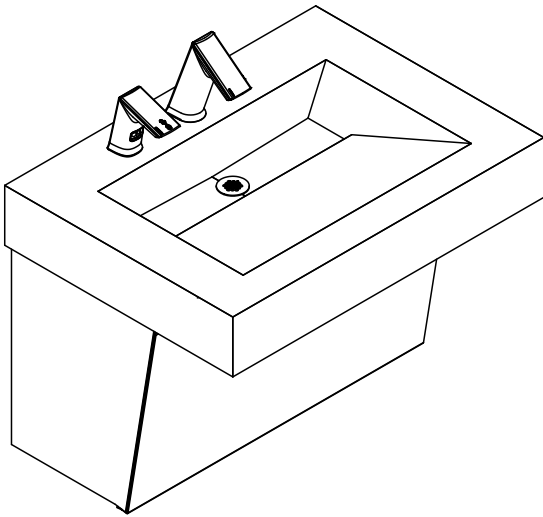
Adequate structural support in or behind the wall is required. Refer to the appropriate rough-in diagram for dry weight of sink. All electrical wiring is to be installed in accordance with national/local codes and regulations. Electrical outlets should be recessed and installed prior to installation. All plumbing should be installed in accordance with applicable codes and regulations. Before connecting flex hoses to supply stops, flush all water lines until water is clear. Hot and cold water supply lines/tempered supply line and drain lines. Recommended to have Control Stops on water supply lines in place prior to installation.

Limited Warranty

Sloan Valve Company ("Sloan"), warrants its products against defects in materials and workmanship, excluding damage caused by matters beyond Sloan's reasonable control. Instructions for filing claims can be found in the Limited Warranty which can be obtained at www.sloan.com or by requesting a free copy by telephone at 888.756.2614. Sloan will repair or replace your defective product, or provide a refund, as your exclusive remedy. This is only a general summary of Sloan's Limited Warranty so it is important to note that the specific terms, conditions, limitations and exclusions, including the duration of warranty coverage for your particular Sloan product, are contained in the actual Sloan Limited Warranty. The Limited Warranty is subject to applicable laws in your country, state, province or other jurisdiction—and disputes arising under the Limited Warranty are to be resolved by binding arbitration unless you provide Sloan with an opt-out notice no later than 30 days after your purchase date. In case of a conflict with this summary, the terms and conditions set forth in the complete Limited Warranty will prevail.

ELGR-81000

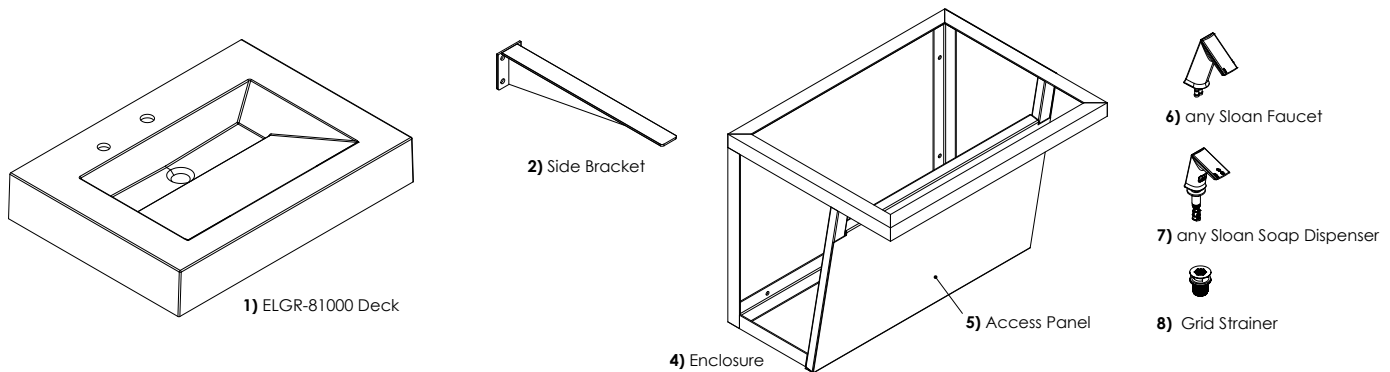
One Station Lavatory Systems



Sink Location

Determine the appropriate wall location for the Lavatory System. Consider that hot and cold water supply lines, a drain line, and an electrical source (receptacle for hardwired faucets and hand dryer) will be required. Compare the physical dimensions of the Lavatory System to the space available for the installation. If wall is not load bearing, a carrier may be required behind the wall. Refer to the appropriate Rough-in diagrams for Lavatory System dimensions. Prior to Lavatory System installation, electric wiring, water supply and drain must be installed.

ELGR-81000, One Station Components



Note:
Faucet and Soap dispenser models shown for reference, actual units will depend on what was selected at order entry.

ELGR-81000, One Station Component List

Description	Item Number	Quantity
Designer Series ELGR, One Station, Deck	1	1
Side Bracket (<i>Mounting Option, 0386063</i>)	2	2
Middle Bracket (<i>Mounting Option, 0386064, not required for single station</i>)	3	-
Angled Enclosure (<i>Mounting Option</i>)	4	1
Hook and Hang Access Panel	5	1
any Sloan Faucet	6	1
any Sloan Soap Dispenser Note: If ESD-500 Selected – Area under the sink must be clear for proper installation access and soap bottle change (no outlets, stops, etc).	7	1
Grid Strainer	8	1

Rough-In (One Station); Bracket Mounting Option

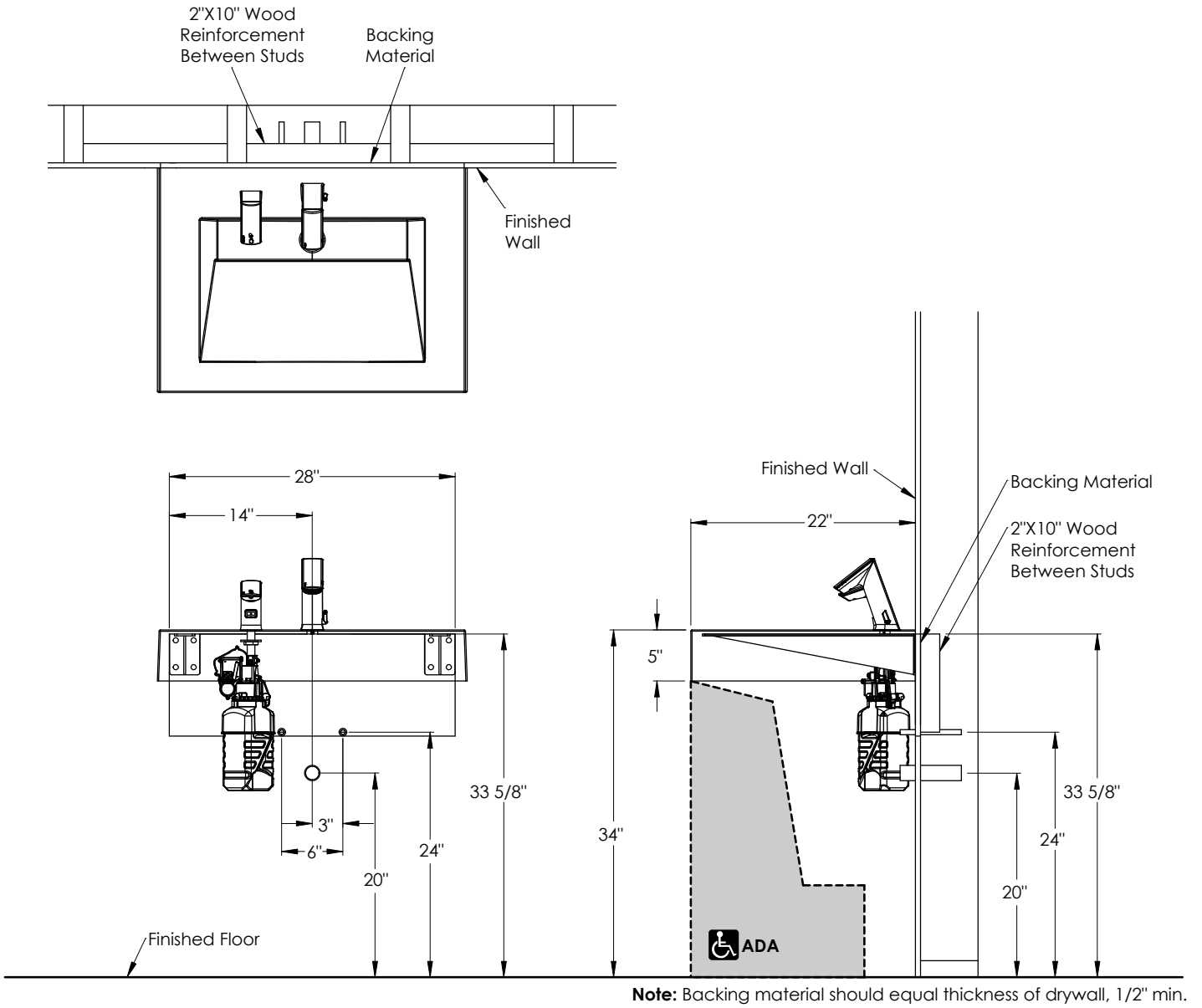
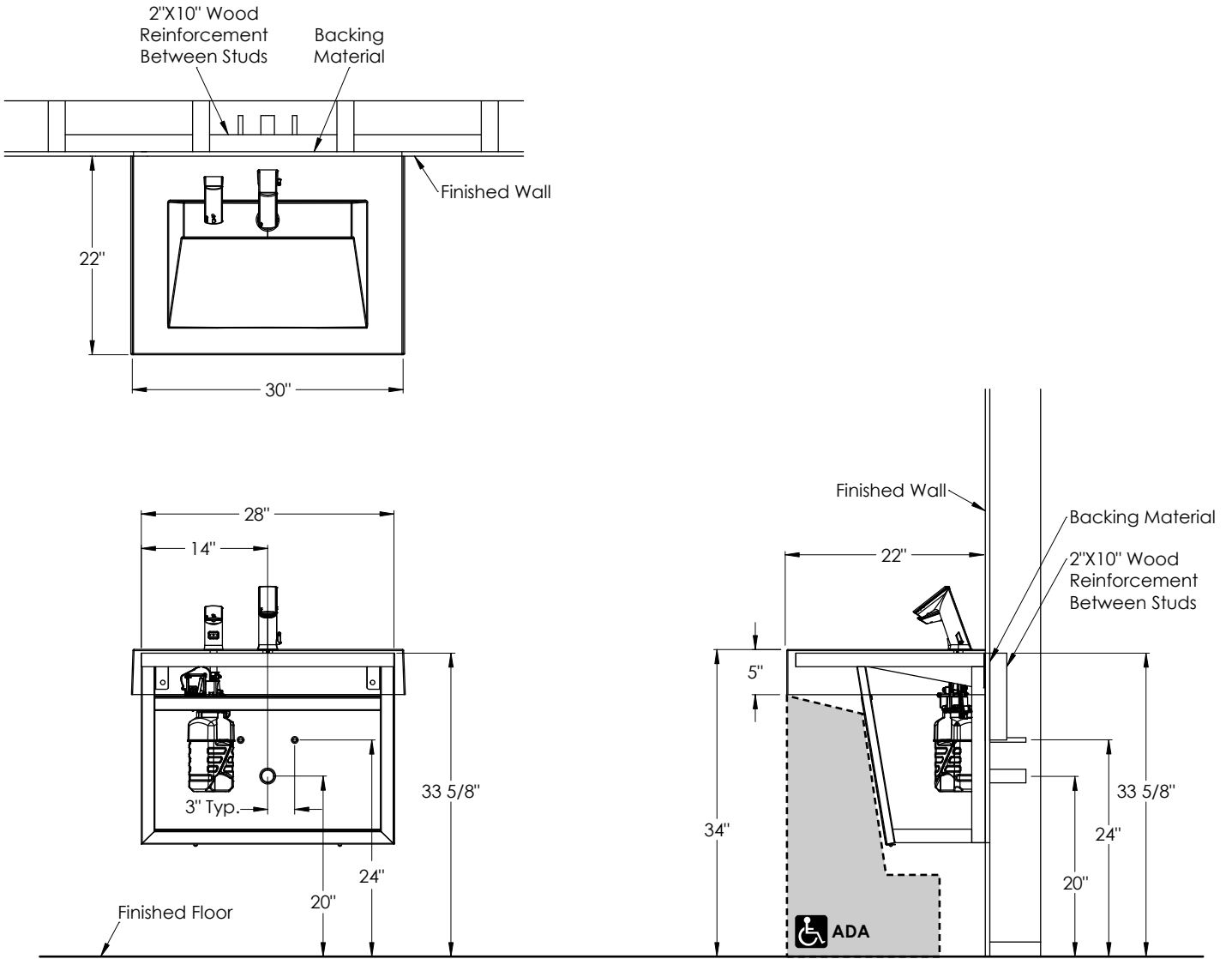


Figure 1

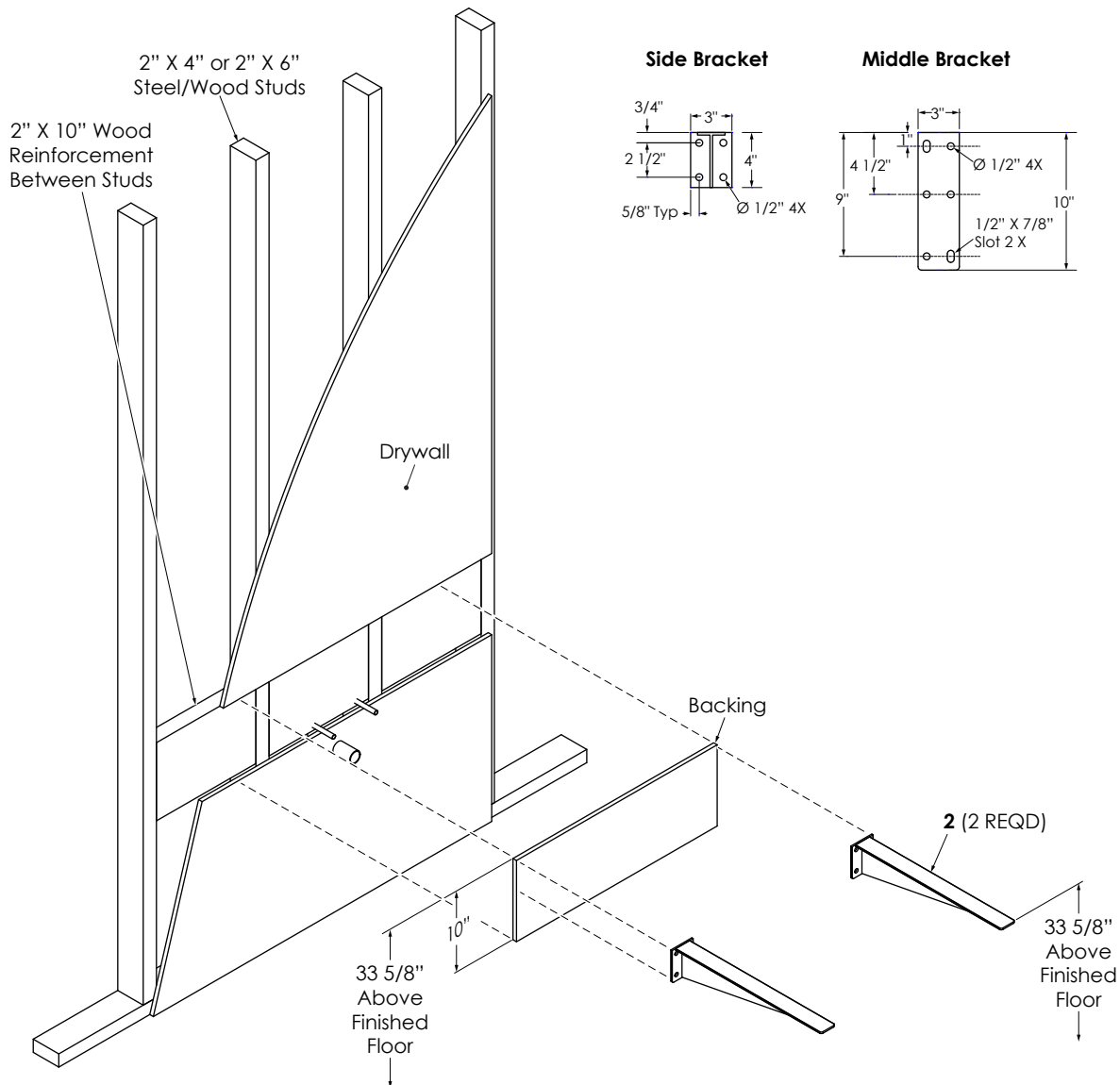
Rough-In (One Station); Enclosure Mounting Option



Note: Backing material should equal thickness of drywall, 1/2" min.

Figure 2

Backing and Bracket Installation (One Station)



Notes:

1. Due to manufacturer tolerances, all dimensions are for reference only.
2. Enclosure must be shimmed to wall to ensure proper leveling and straightness.
3. Backing material should equal thickness of drywall, 1/2" min.

Figure 3

1. Install Backing (Figure 3) onto wall studs.

Note: Backing supplied by others to meet local codes.

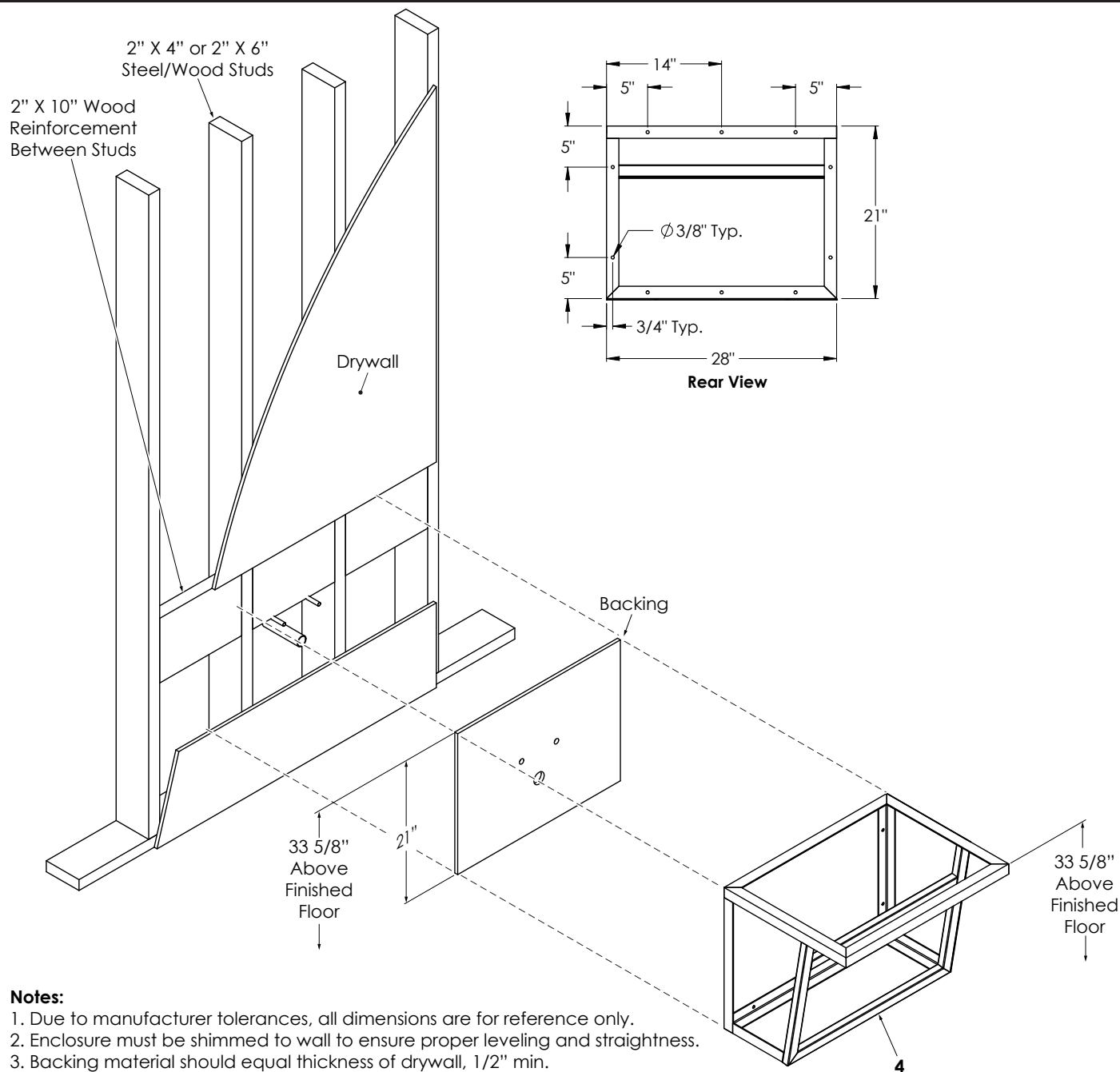
- a. If drywall is present, refer to rough-in, Figure 1, and cut out drywall window to the outer dimension of the side brackets at 10" high, 33 5/8", above finished floor.
- b. Remove drywall window.
- c. Pre-drill/cut holes for plumbing and electrical as required.
- d. Install backing into cutout drywall window.

2. Mount the Side Brackets (2, Figure 3) to the backing. Ensure that Side Brackets (2) are level and the proper distance from the floor.

Note: Anchor side brackets to wall using 1,000 lb pull out mounting fasteners for 3/8" holes (not supplied).

- a. Using mounting fasteners (Not supplied) secure Side Brackets (2) onto backing, make sure that the top of Side Brackets (2) are 33 5/8", above finished floor. (ADA specifications)

Backing and Enclosure Installation (One Station)



Notes:

1. Due to manufacturer tolerances, all dimensions are for reference only.
2. Enclosure must be shimmed to wall to ensure proper leveling and straightness.
3. Backing material should equal thickness of drywall, 1/2" min.

Figure 4

3. Install Backing (Figure 4) onto wall studs.

Note: Backing supplied by others to meet local codes.

- a. If drywall is present, refer to rough-in, Figure 2, measure outer dimensions of Enclosure (4) and cut out drywall window.
- b. Remove drywall window.
- c. Pre-drill/cut holes for plumbing and electrical.
- d. Install backing into cutout drywall window.

4. Refer to the template in (Figure 4), mount the Enclosure (4) to the backing. Ensure that Enclosure (4) is level and the proper distance from the floor.

Note: Anchor enclosure to wall using 1,000 lb pull out mounting fasteners for 3/8" holes (not supplied).

- a. Using mounting fasteners secure Enclosure (4) onto backing, making sure that the top of Enclosure (4) is 33 5/8 inches, above finished floor. (ADA specifications)

Faucet and Soap Installation (One Station)

Notes:

- For ease of deck installation, leave the deck lying on its front (if no bag hooks are installed) or lying on its back and install component spouts.
- Components shown for reference only.
- Install Faucet, Soap Dispenser spouts and grid strainer.

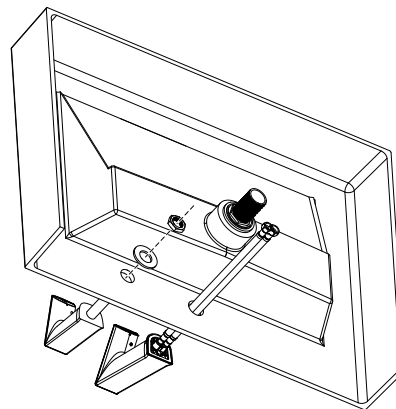


Figure 5

5. Install Faucet and Soap spouts, (Figure 5) onto sink according to manufacturer's instructions provided with component.

Sink Installation (One Station); Bracket

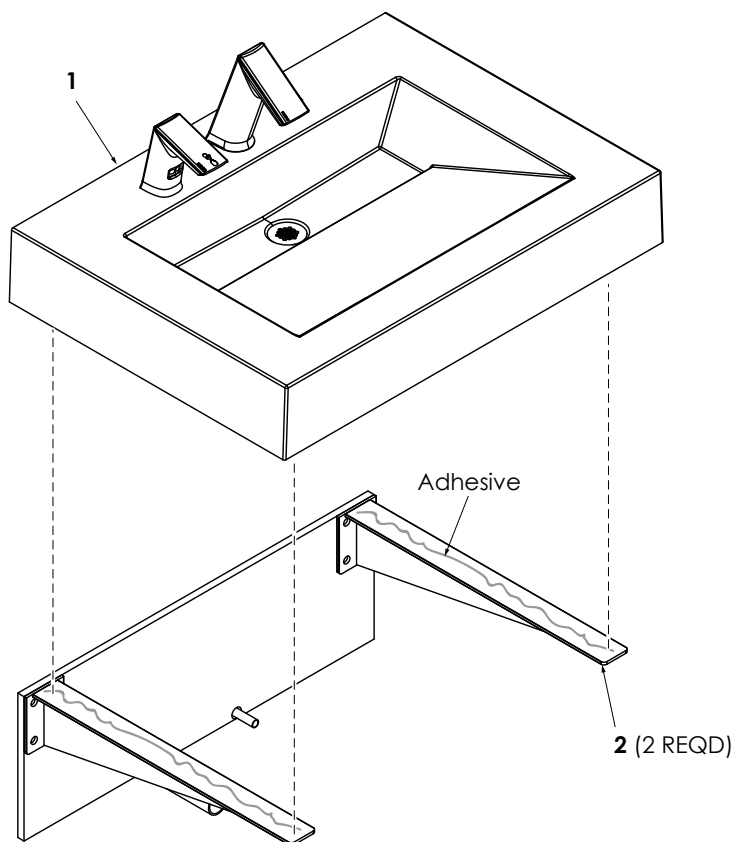


Figure 6

6. Install Deck (1, Figure 6) onto Side Brackets (2).

Note: Back of Deck (1) may require scribing to finished wall.

- a. Apply adhesive (not supplied) to the top of Side Brackets (2).
- b. Lower Deck (1) onto Side Brackets (2). Shim all gaps between Side Brackets (2) and Deck (1).
- c. Install all water connections and drain lines.
- d. Remove any and all protective tape and/or wrap.

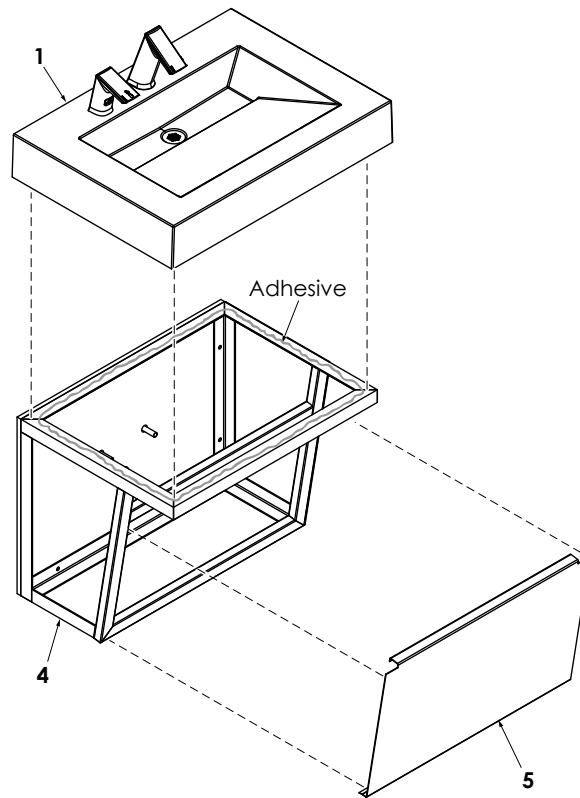


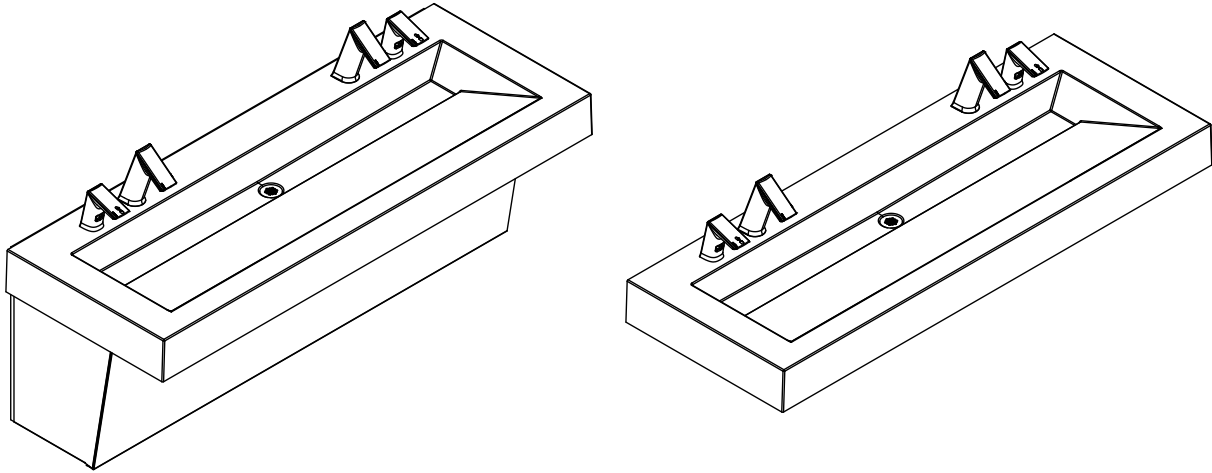
Figure 7

7. Install Deck (1, Figure 7) onto Enclosure (4).
Note: Back of Deck (1) may require scribing to finished wall.
 - a. Apply adhesive (not supplied) to the top of Enclosure (4).
 - b. Lower Deck (1) onto Enclosure (4). Shim all gaps between Enclosure (4) and Deck (1).
 - c. Install all water connections and drain lines.
 - d. Remove any and all protective tape and/or wrap.
 - e. Attach Access Panel (5) to Enclosure (2).

End of ELGR-81000 Installation Instructions

ELGR-82000

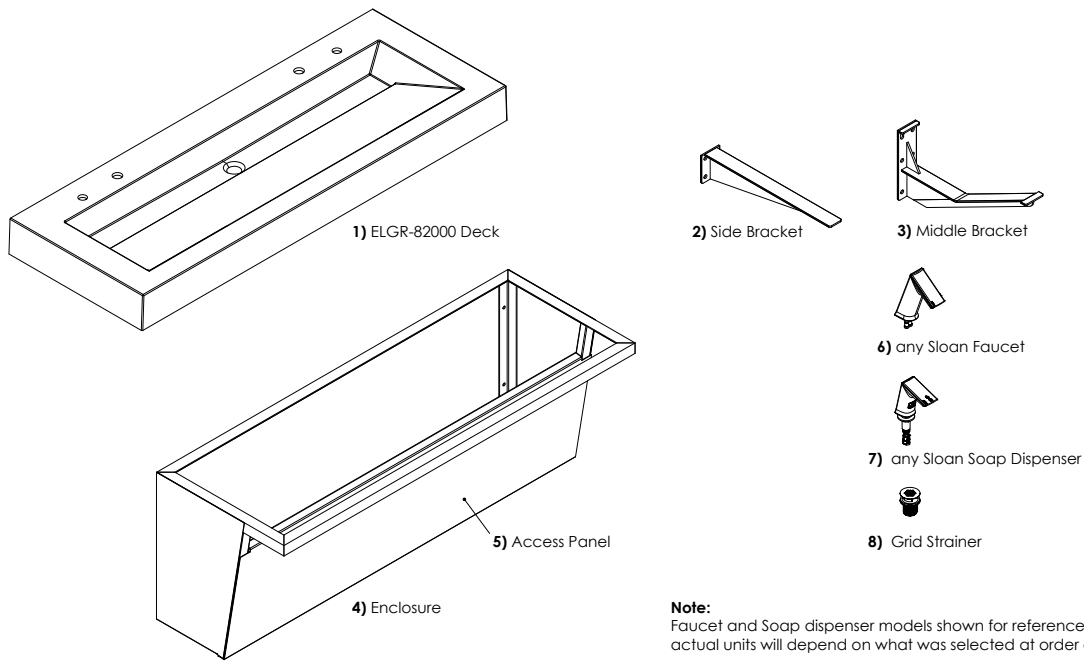
Two Station Lavatory Systems



Sink Location

Determine the appropriate wall location for the Lavatory System. Consider that hot and cold water supply lines, a drain line, and an electrical source (receptacle for hardwired faucets and hand dryer) will be required. Compare the physical dimensions of the Lavatory System to the space available for the installation. If wall is not load bearing, a carrier may be required behind the wall. Refer to the appropriate Rough-in diagrams for Lavatory System dimensions. Prior to Lavatory System installation, electric wiring, water supply and drain must be installed.

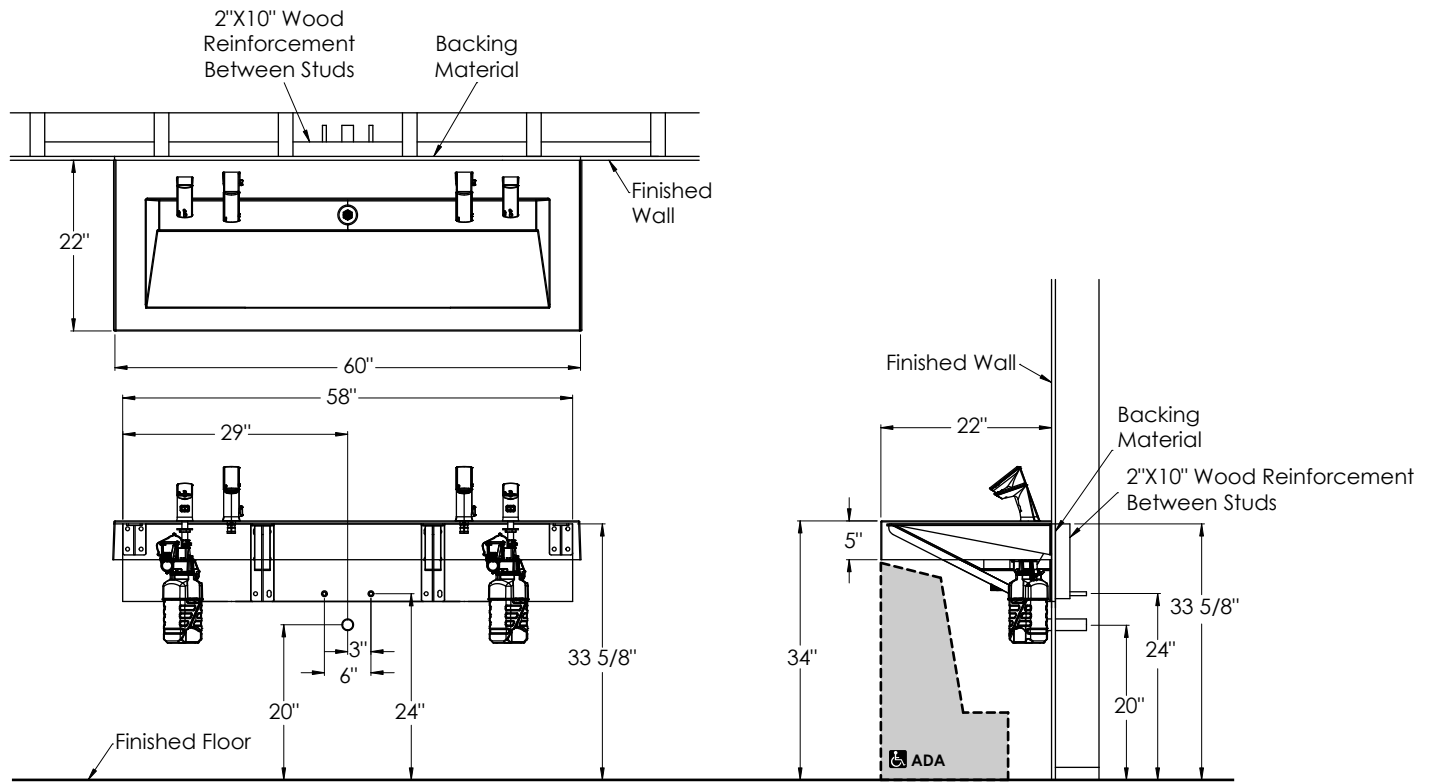
ELGR-82000, Two Station Components



ELGR-82000, Two Station Component List

Description	Item Number	Quantity
Designer Series ELGR, Two Station, Deck	1	1
Side Bracket (Mounting Option, 0386063)	2	2
Middle Bracket (Mounting Option, 0386064)	3	2
Angled Enclosure (Mounting Option)	4	1
Hook and Hang Access Panel	5	1
any Sloan Faucet	6	2
any Sloan Soap Dispenser Note: If ESD-500 Selected – Area under the sink must be clear for proper installation access and soap bottle change (no outlets, stops, etc).	7	2
Grid Strainer	8	1

Rough-In (Two Station); Bracket Mounting Option

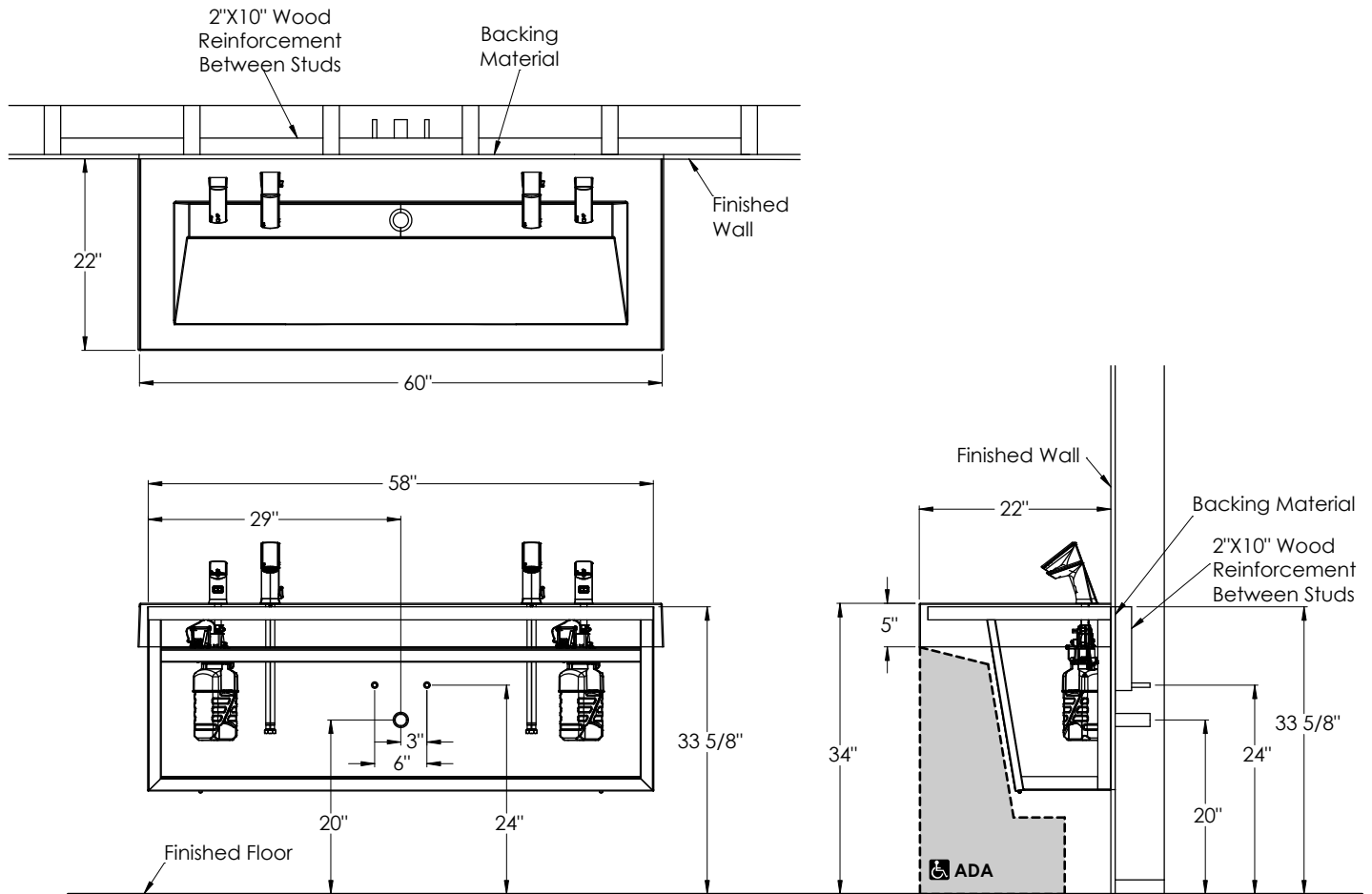


Notes:

1. Backing material should equal thickness of drywall, 1/2" min.
2. Mount brackets to allow clearance for plumbing, optimal spacing between all brackets is 18" ± 3".
3. Position the ESD 500 pump assembly as shown.

Figure 8

Rough-In (Two Station); Enclosure Mounting Option

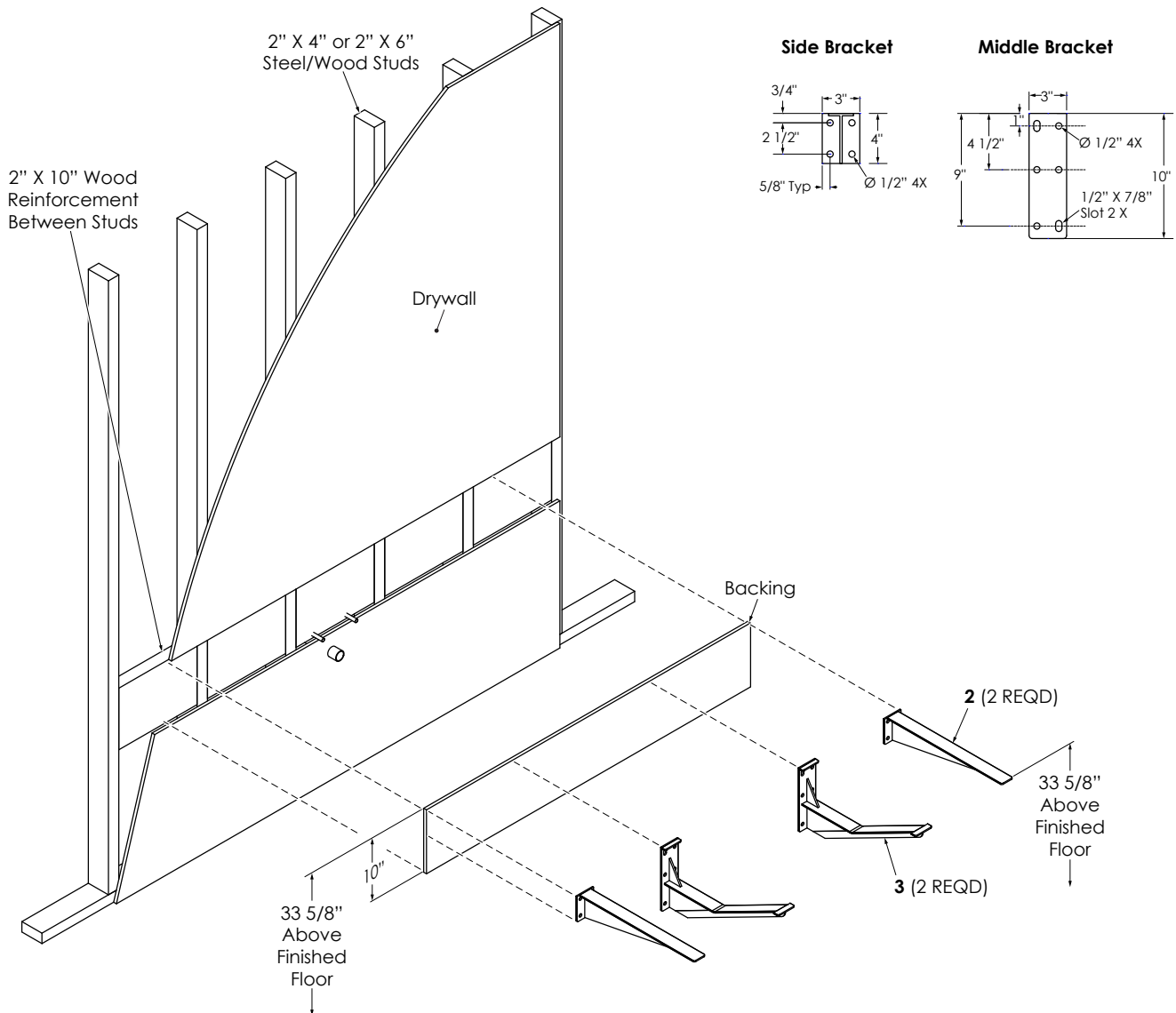


Notes:

1. Backing material should equal thickness of drywall, 1/2" min.
2. Position the ESD 500 pump assembly as shown.

Figure 9

Backing and Bracket Installation (Two Station)



Notes:

1. Due to manufacturer tolerances, all dimensions are for reference only.
2. Backing material should equal thickness of drywall, 1/2" min.
3. Mount brackets to allow clearance for plumbing, optimal spacing between all brackets is $18" \pm 3"$.

Figure 10

1. Install Backing (Figure 10) onto wall studs.

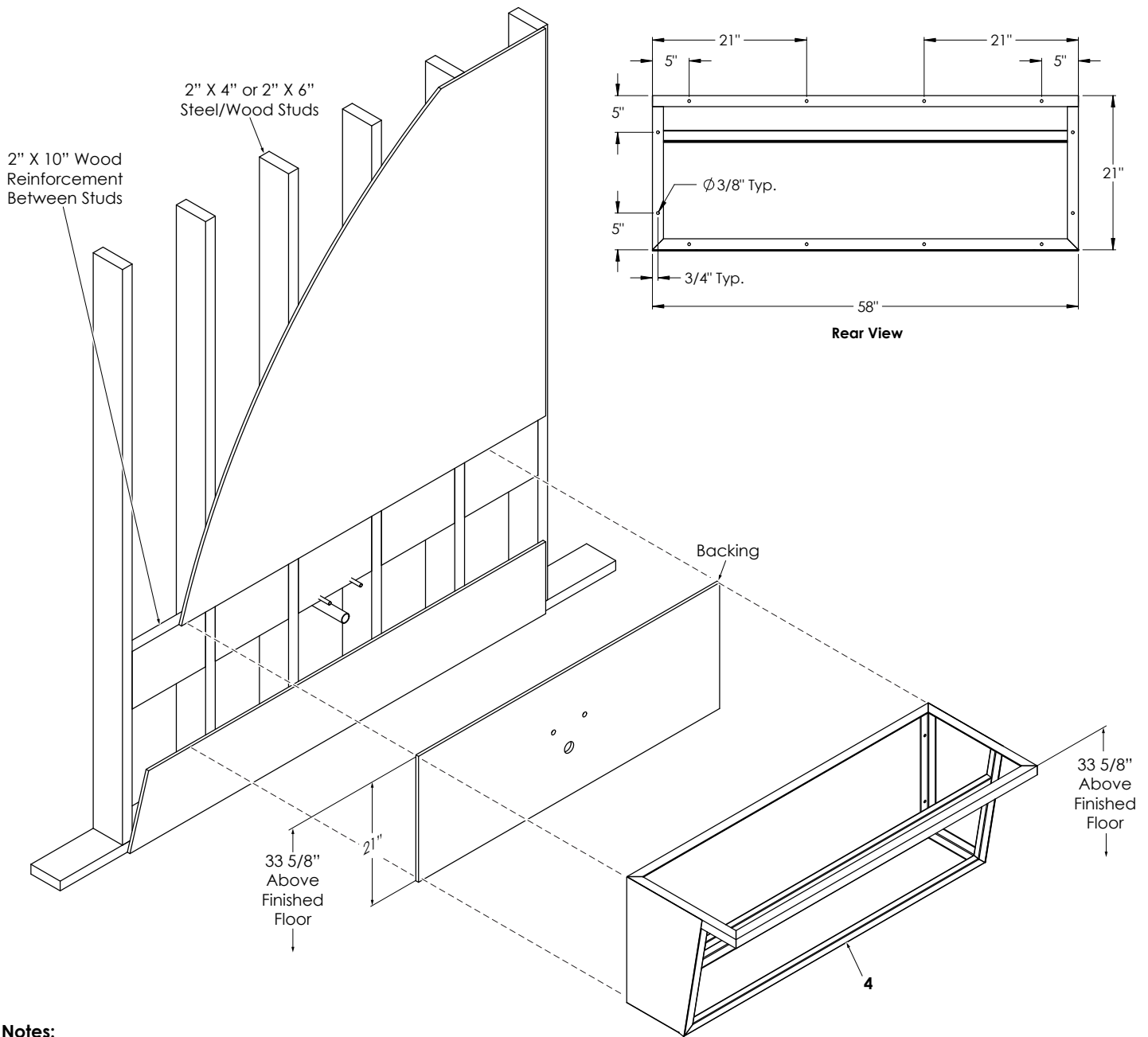
Note: Backing supplied by others to meet local codes.

 - a. If drywall is present, refer to rough-in, Figure 8, and cut out drywall window to the outer dimension of the side brackets at 10" high, 33 5/8" above finished floor.
 - b. Remove drywall window.
 - c. Pre-drill/cut holes for plumbing and electrical as required.
 - d. Install backing into cutout drywall window.
2. Mount the Side Brackets (2, Figure 10) and Middle Brackets (3) to the backing. Ensure that Side Brackets (2) and Middle Brackets (3) are level and the proper distance from the floor.

Note: Anchor side brackets to wall using 1,000 lb pull out mounting fasteners for 3/8" holes (not supplied).

 - a. Using mounting fasteners (Not supplied) secure Side Brackets (2) and Middle Brackets (3) onto backing, make sure that the top of Side Brackets (2) and Middle Brackets (3) are 33 5/8" above finished floor. (ADA specifications)

Backing and Enclosure Installation (Two Station)



Notes:

1. Due to manufacturer tolerances, all dimensions are for reference only.
2. Enclosure must be shimmed to wall to ensure proper leveling and straightness.
3. Backing material should equal thickness of drywall, 1/2" min.

Figure 11

3. Install Backing (Figure 11) onto wall studs.

Note: Backing supplied by others to meet local codes.

- a. If drywall is present, refer to rough-in, Figure 9, measure outer dimensions of Enclosure (4) and cut out drywall window.
- b. Remove drywall window.
- c. Pre-drill/cut holes for plumbing and electrical.
- d. Install backing into cutout drywall window.

4. Refer to the template in (Figure 11), mount the Enclosure (4) to the backing. Ensure that Enclosure (4) is level and the proper distance from the floor.

Note: Anchor enclosure to wall using 1,000 lb pull out mounting fasteners for 3/8" holes (not supplied).

- a. Using mounting fasteners secure Enclosure (4) onto backing, making sure that the top of Enclosure (2) is 33 5/8" above finished floor. (ADA specifications)

Faucet and Soap Installation (Two Station)

Notes:

- For ease of deck installation, leave the deck lying on its front (if no bag hooks are installed) or lying on its back and install component spouts.
- Components shown for reference only.
- Install Faucet, Soap Dispenser spouts and grid strainer.

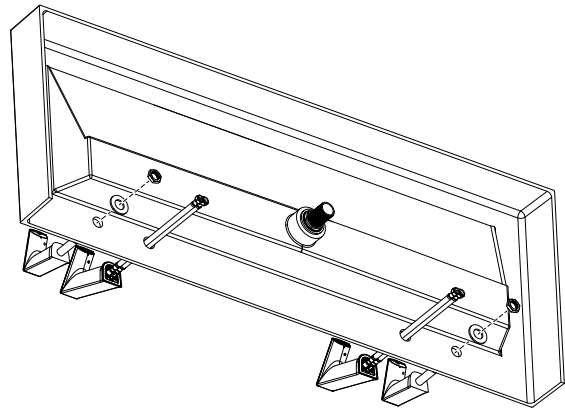


Figure 12

5. Install Faucet and Soap spouts, (Figure 12) onto sink according to manufacturer's instructions provided with component.

Sink Installation (Two Station); Bracket

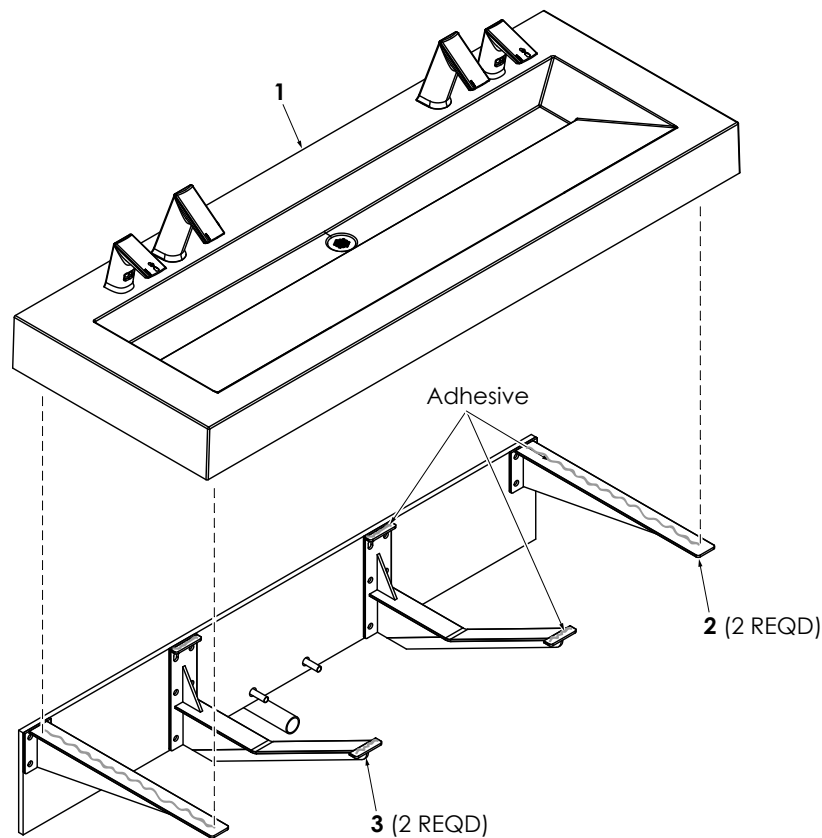


Figure 13

6. Install Deck (1, Figure 13) onto Side Brackets (2) and Middle Brackets (3).
Note: Back of Deck (1) may require scribing to finished wall.
 - a. Apply adhesive (not supplied) to the top of Side Brackets (2) and Middle Brackets (3).
 - b. Lower Deck (1) onto Side Brackets (2) and Middle Bracket (3). Shim all gaps between Side Brackets (2), Middle Brackets (3) and Deck (1).
 - c. Install all water connections and drain lines.
 - d. Remove any and all protective tape and/or wrap.

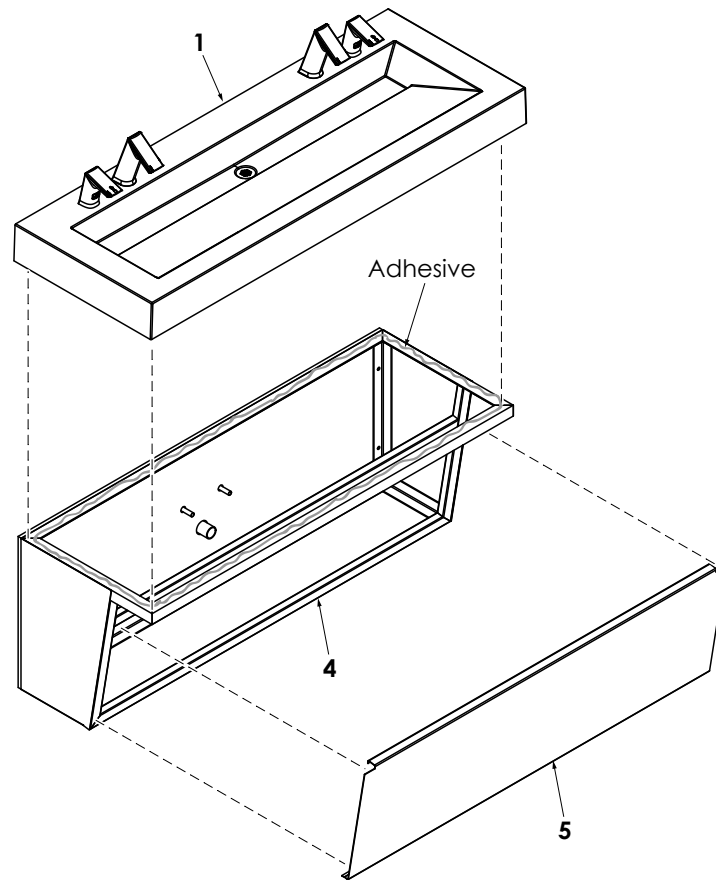


Figure 14

7. Install Deck (1, Figure 14) onto Enclosure (4).

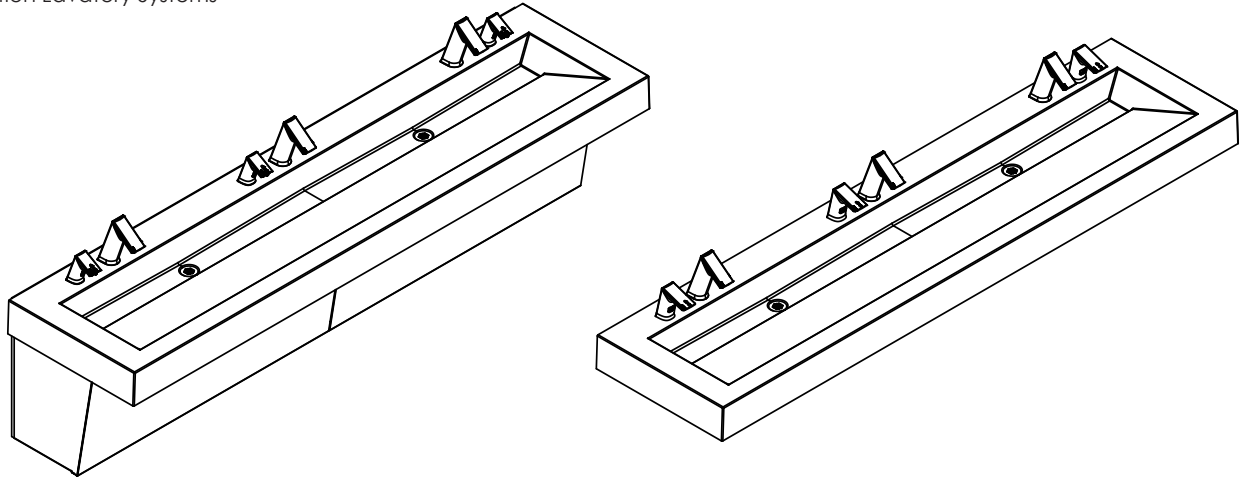
Note: Back of Deck (1) may require scribing to finished wall.

- a. Apply adhesive (not supplied) to the top of Enclosure (4).
- b. Lower Deck (1) onto Enclosure (4). Shim all gaps between Enclosure (4) and Deck (1).
- c. Install all water connections and drain lines.
- d. Remove any and all protective tape and/or wrap.
- e. Attach Access Panel (5) to Enclosure (4).

End of ELGR-82000 Installation Instructions

ELGR-83000

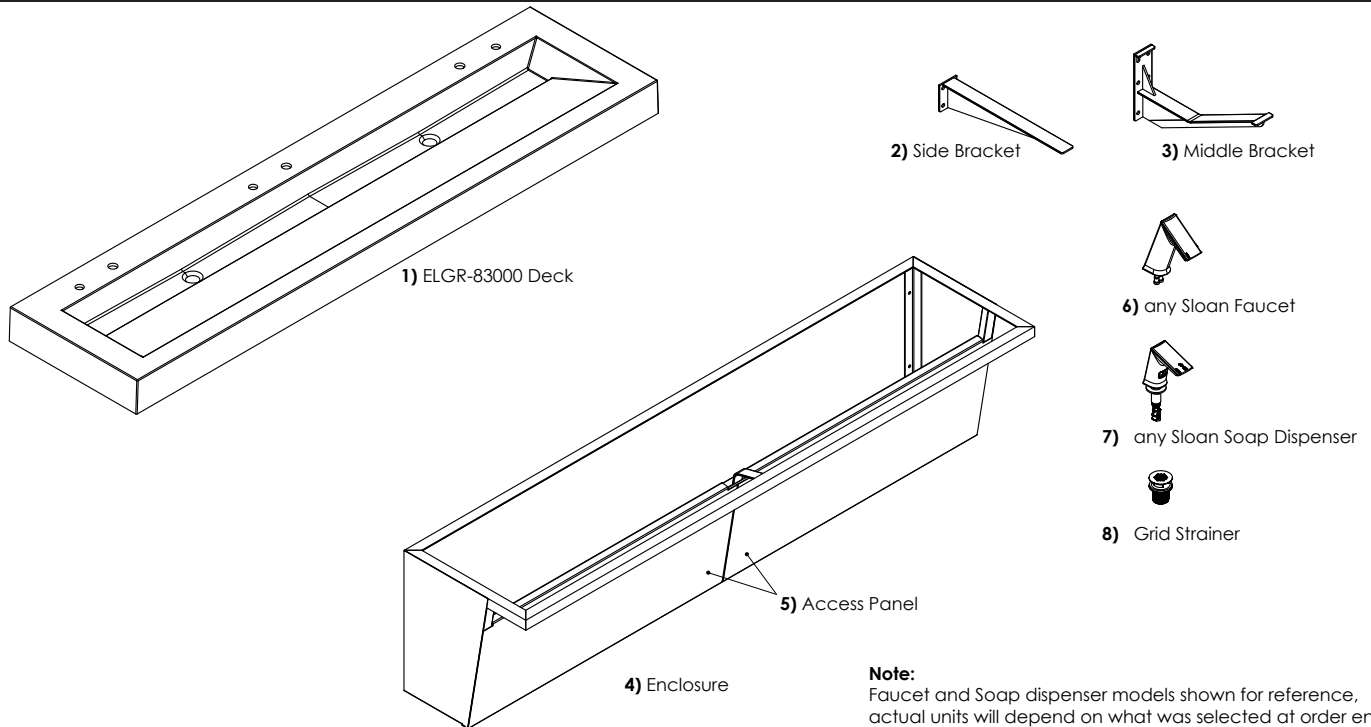
Three Station Lavatory Systems



Sink Location

Determine the appropriate wall location for the Lavatory System. Consider that hot and cold water supply lines, a drain line, and an electrical source (receptacle for hardwired faucets and hand dryer) will be required. Compare the physical dimensions of the Lavatory System to the space available for the installation. If wall is not load bearing, a carrier may be required behind the wall. Refer to the appropriate Rough-in diagrams for Lavatory System dimensions. Prior to Lavatory System installation, electric wiring, water supply and drain must be installed.

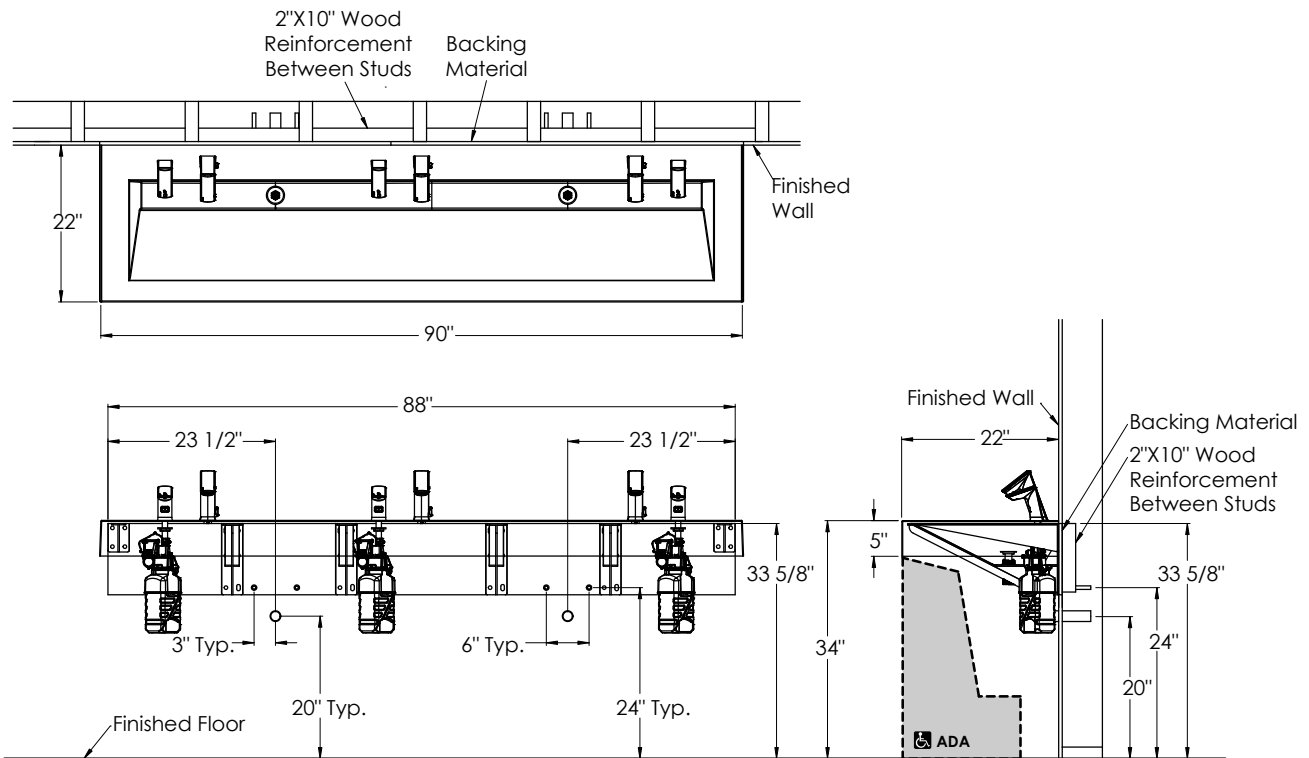
ELGR-83000, Three Station Components



ELGR-83000, Three Station Component List

Description	Item Number	Quantity
Designer Series ELGR, Three Station, Deck	1	1
Side Bracket (Mounting Option, 0386063)	2	2
Middle Bracket (Mounting Option, 0386064)	3	4
Angled Enclosure (Mounting Option)	4	1
Hook and Hang Access Panel	5	2
any Sloan Faucet	6	3
any Sloan Soap Dispenser Note: If ESD-500 Selected – Area under the sink must be clear for proper installation access and soap bottle change (no outlets, stops, etc).	7	3
Grid Strainer	8	2

Rough-In (Three Station); Bracket Mounting Option

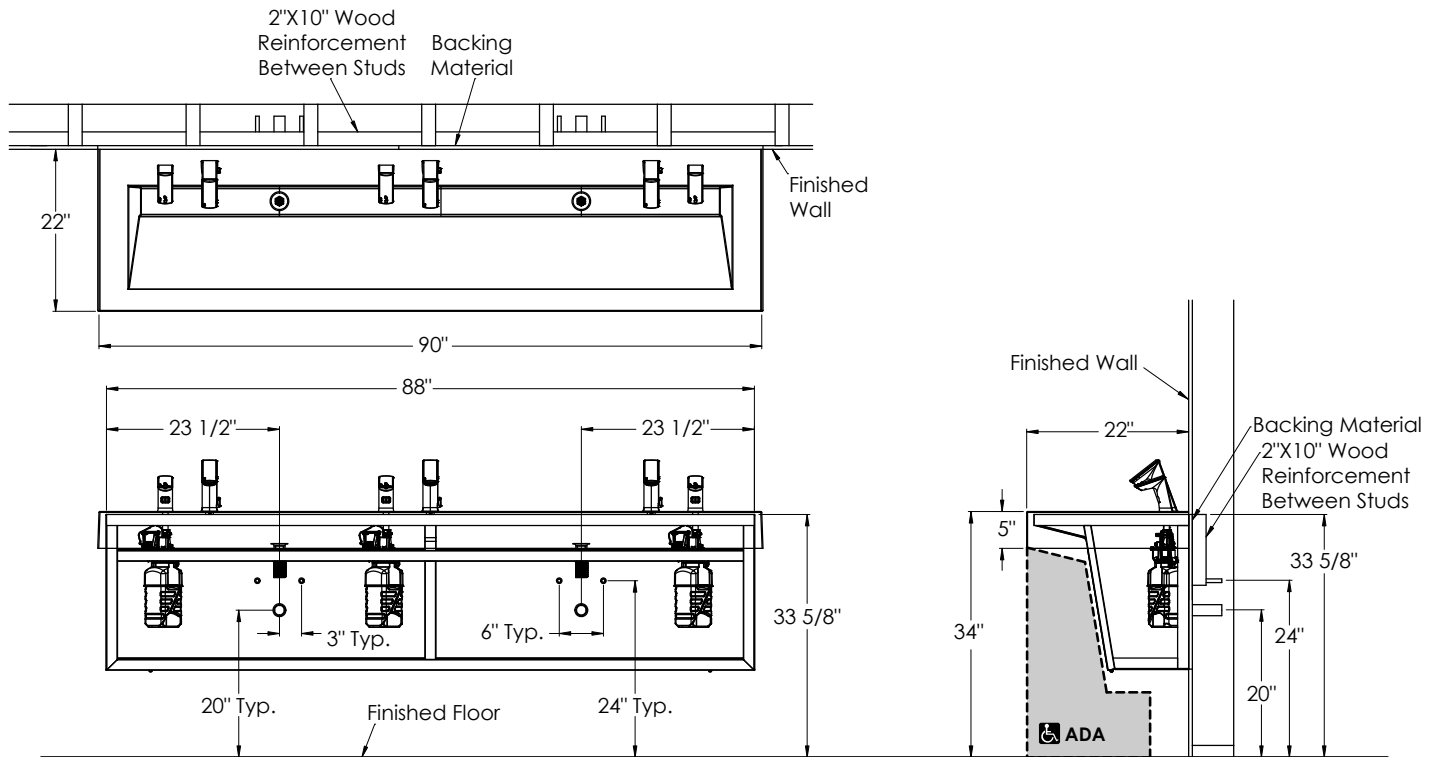


Notes:

1. Backing material should equal thickness of drywall, 1/2" min.
2. Mount brackets to allow clearance for plumbing, optimal spacing between all brackets is 18" ± 3".
3. Position the ESD 500 pump assembly as shown.

Figure 15

Rough-In (Three Station); Enclosure Mounting Option

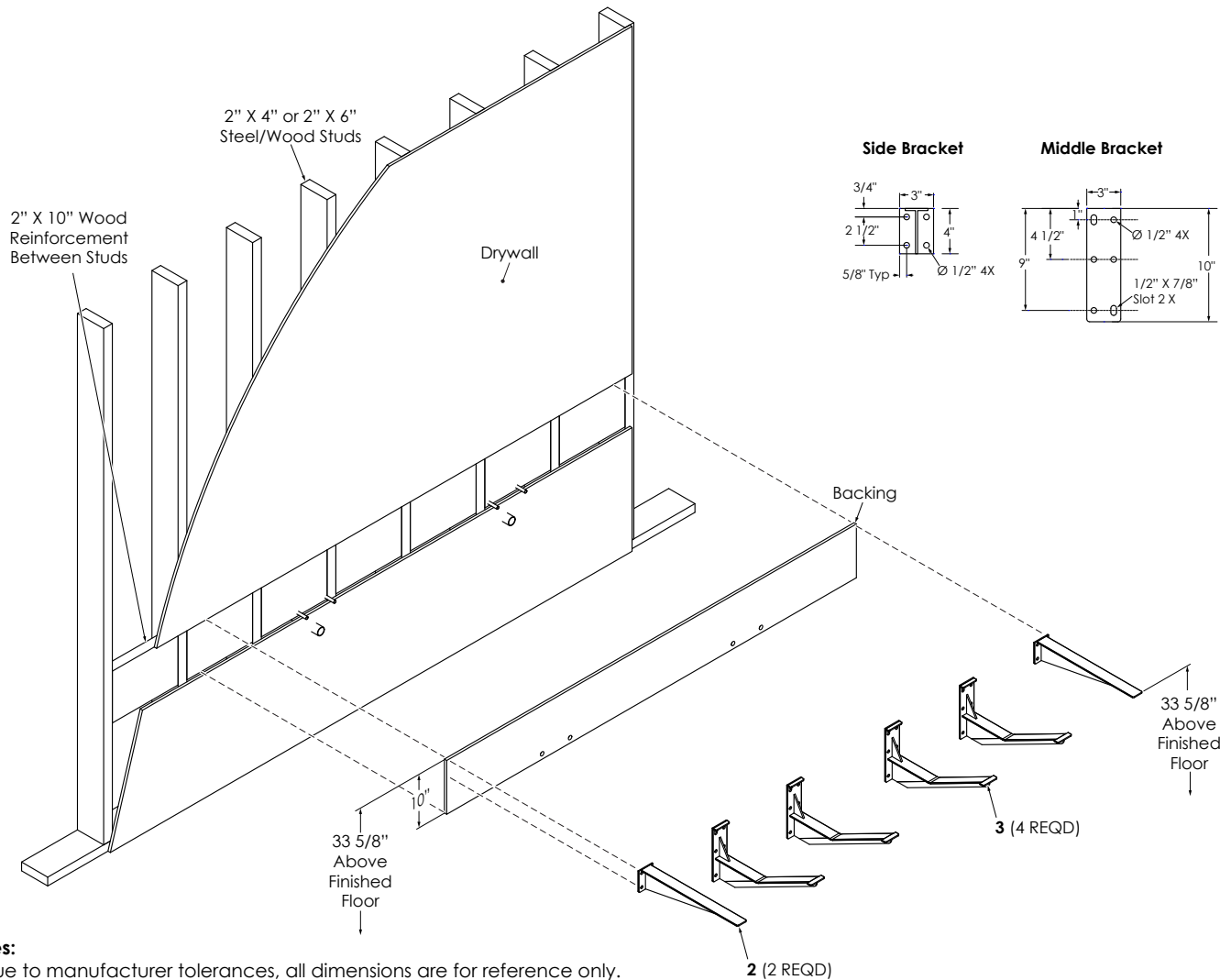


Notes:

1. Backing material should equal thickness of drywall, 1/2" min.
2. Position the ESD 500 pump assembly as shown.

Figure 16

Backing and Bracket Installation (Three Station)



Notes:

1. Due to manufacturer tolerances, all dimensions are for reference only.
2. Backing material should equal thickness of drywall, 1/2" min.
3. Mount brackets to allow clearance for plumbing, optimal spacing between all brackets is 18" ± 3".

Figure 17

1. Install Backing (Figure 17) onto wall studs.

Note: Backing supplied by others to meet local codes.

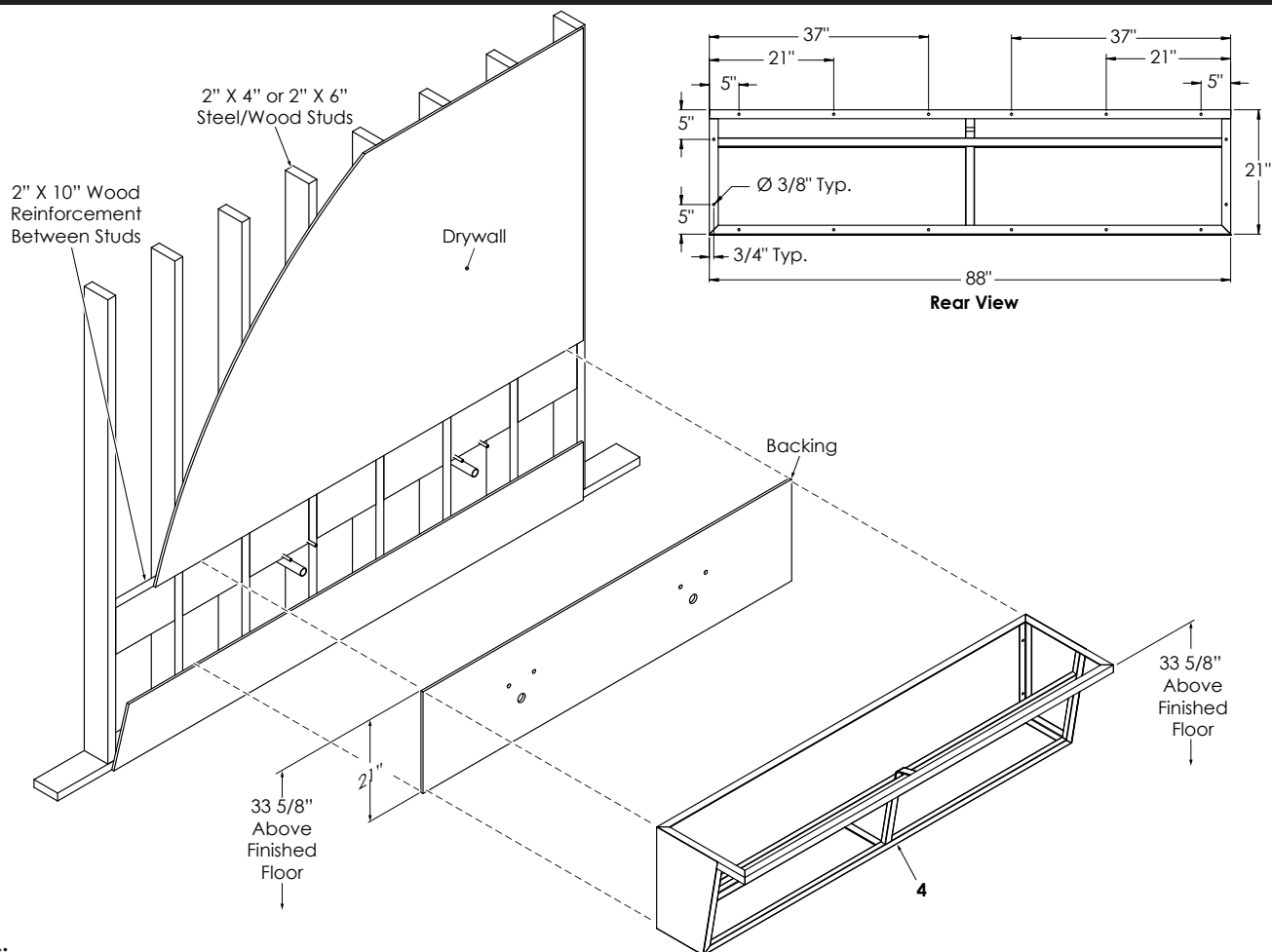
 - a. If drywall is present, refer to rough-in, Figure 15, and cut out drywall window to the outer dimension of the side brackets at 10" high, 33 5/8" above finished floor.
 - b. Remove drywall window.
 - c. Pre-drill/cut holes for plumbing and electrical as required.
 - d. Install backing into cutout drywall window.

2. Mount the Side Brackets (2, Figure 17) and Middle Brackets (3) to the backing. Ensure that Side Brackets (2) and Middle Brackets (3) are level and the proper distance from the floor.

Note: Anchor side brackets to wall using 1,000 lb pull out mounting fasteners for 3/8" holes (not supplied).

 - a. Using mounting fasteners (Not supplied) secure Side Brackets (2) and Middle Brackets (3) onto backing, make sure that the top of Side Brackets (2) and Middle Brackets (3) are 33 5/8" above finished floor. (ADA specifications)

Backing and Enclosure Installation (Three Station)



Notes:

1. Due to manufacturer tolerances, all dimensions are for reference only.
2. Enclosure must be shimmed to wall to ensure proper leveling and straightness.
3. Backing material should equal thickness of drywall, 1/2" min.

Figure 18

3. Install Backing (Figure 18) onto wall studs.

Note: Backing supplied by others to meet local codes.

- a. If drywall is present, refer to rough-in, Figure 16, measure outer dimensions of Enclosure (4) and cut out drywall window.
- b. Remove drywall window.
- c. Pre-drill/cut holes for plumbing and electrical.
- d. Install backing into cutout drywall window.

4. Refer to the template in (Figure 18), mount the Enclosure (4) to the backing. Ensure that Enclosure (4) is level and the proper distance from the floor.

Note: Anchor enclosure to wall using 1,000 lb pull out mounting fasteners for 3/8" holes (not supplied).

- a. Using mounting fasteners secure Enclosure (4) onto backing, making sure that the top of Enclosure (2) is 33 5/8" above finished floor. (ADA specifications)

Faucet and Soap Installation (Three Station)

Notes:

- For ease of deck installation, leave the deck lying on its front (if no bag hooks are installed) or lying on its back and install component spouts.
- Components shown for reference only.
- Install Faucet, Soap Dispenser spouts and grid strainer.

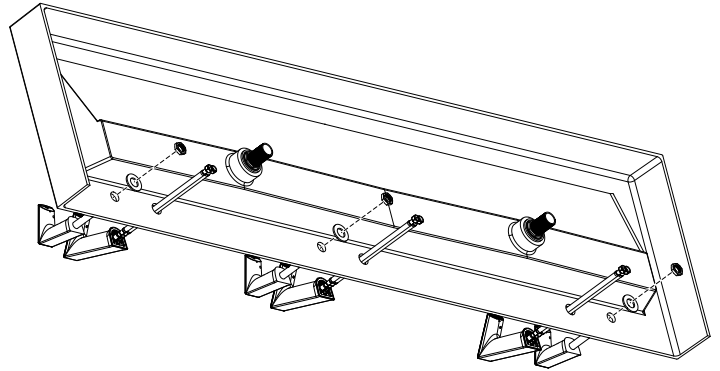


Figure 19

5. Install Faucet and Soap spouts, (Figure 19) onto sink according to manufacturer's instructions provided with component.

Sink Installation (Three Station); Bracket

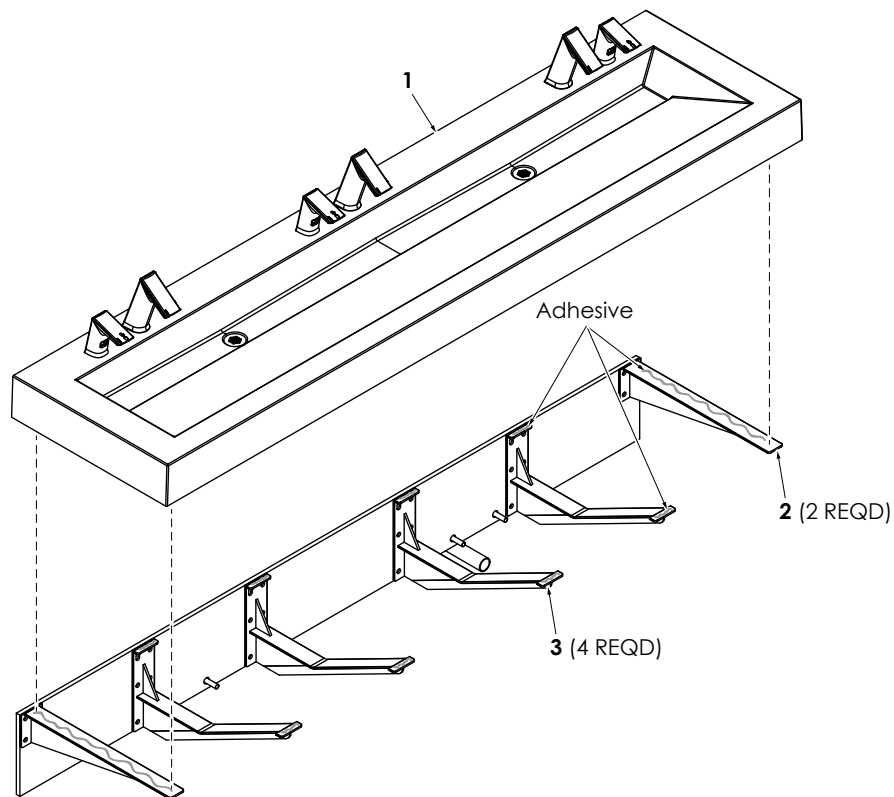


Figure 20

6. Install Deck (1, Figure 20) onto Side Brackets (2) and Middle Brackets (3).

Note: Back of Deck (1) may require scribing to finished wall.

- a. Apply adhesive (not supplied) to the top of Side Brackets (2) and Middle Brackets (3).
- b. Lower Deck (1) onto Side Brackets (2) and Middle Bracket (3). Shim all gaps between Side Brackets (2), Middle Brackets (3) and Deck (1).
- c. Install all water connections and drain lines.
- d. Remove any and all protective tape and/or wrap.

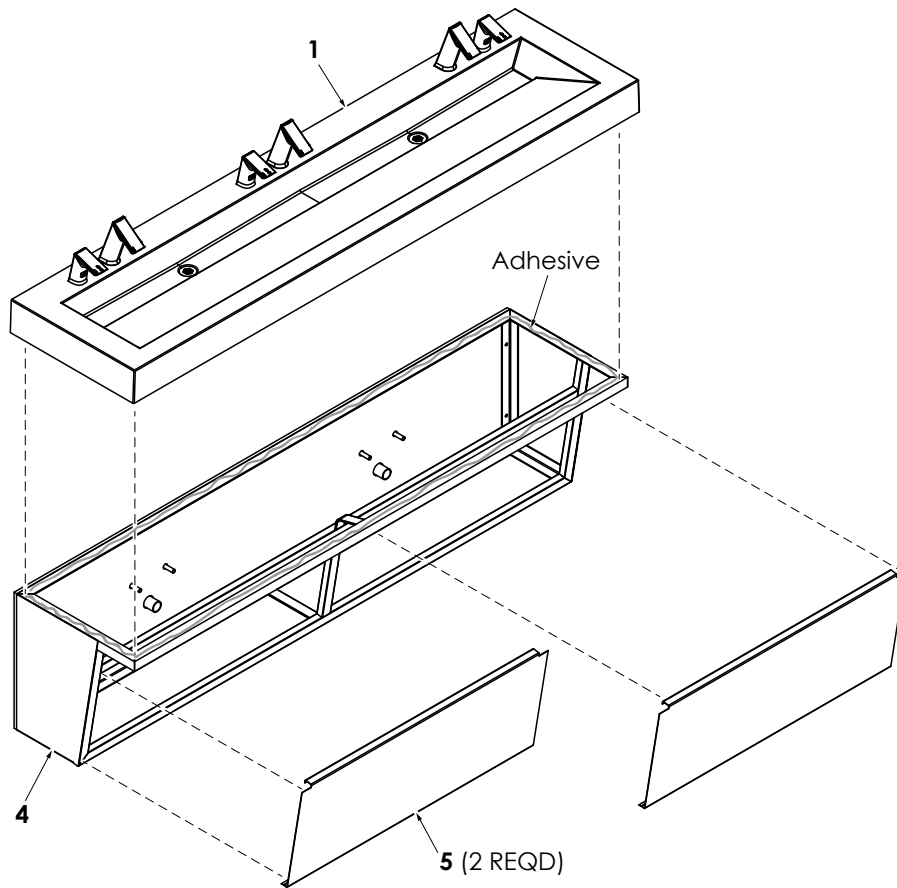


Figure 21

7. Install Deck (1, Figure 21) onto Enclosure (4).

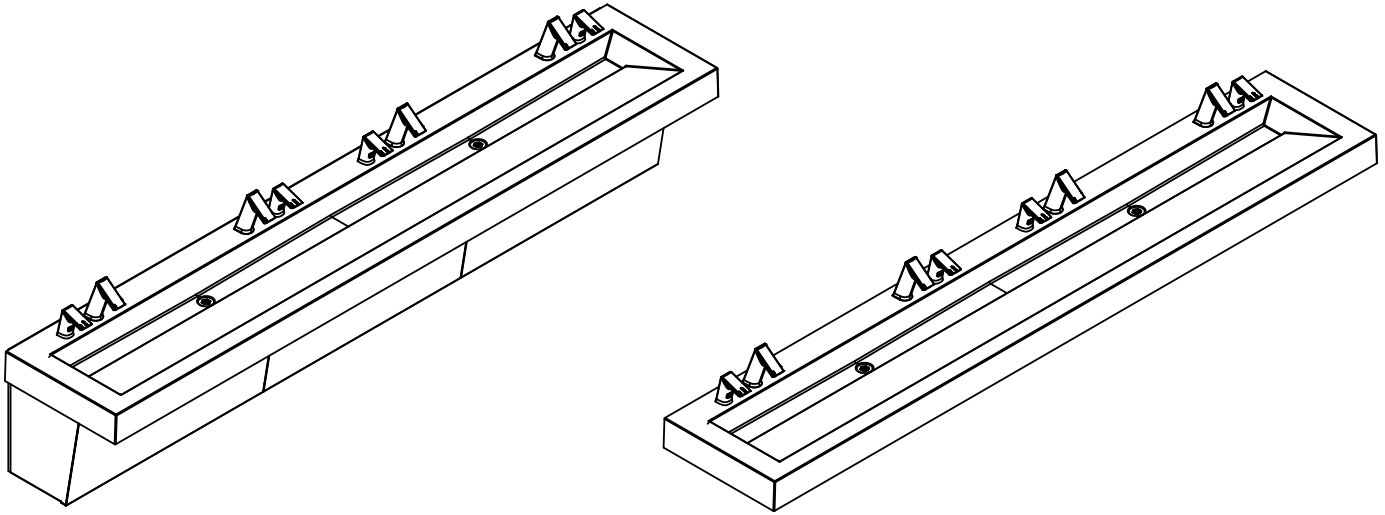
Note: Back of Deck (1) may require scribing to finished wall.

- a. Apply adhesive (not supplied) to the top of Enclosure (4).
- b. Lower Deck (1) onto Enclosure (4). Shim all gaps between Enclosure (4) and Deck (1).
- c. Install all water connections and drain lines.
- d. Remove any and all protective tape and/or wrap.
- e. Attach Access Panel (5) to Enclosure (4).

End of ELGR-83000 Installation Instructions

ELGR-84000

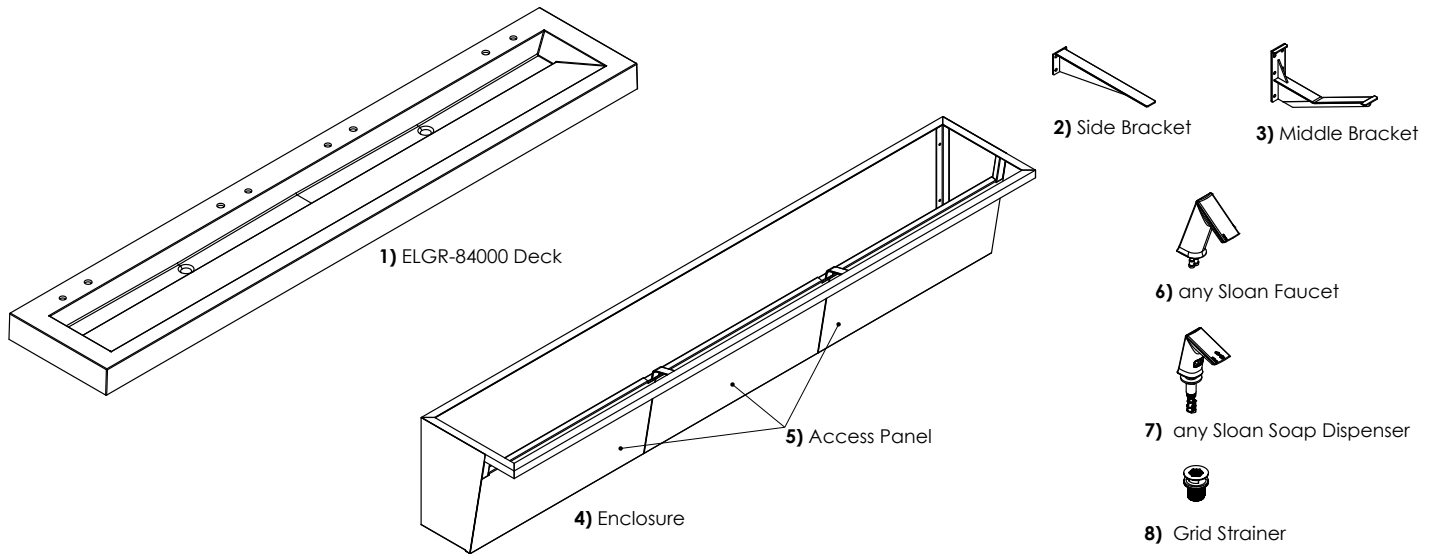
Four Station Lavatory Systems



Sink Location

Determine the appropriate wall location for the Lavatory System. Consider that hot and cold water supply lines, a drain line, and an electrical source (receptacle for hardwired faucets and hand dryer) will be required. Compare the physical dimensions of the Lavatory System to the space available for the installation. If wall is not load bearing, a carrier may be required behind the wall. Refer to the appropriate Rough-in diagrams for Lavatory System dimensions. Prior to Lavatory System installation, electric wiring, water supply and drain must be installed.

ELGR-84000, Four Station Components

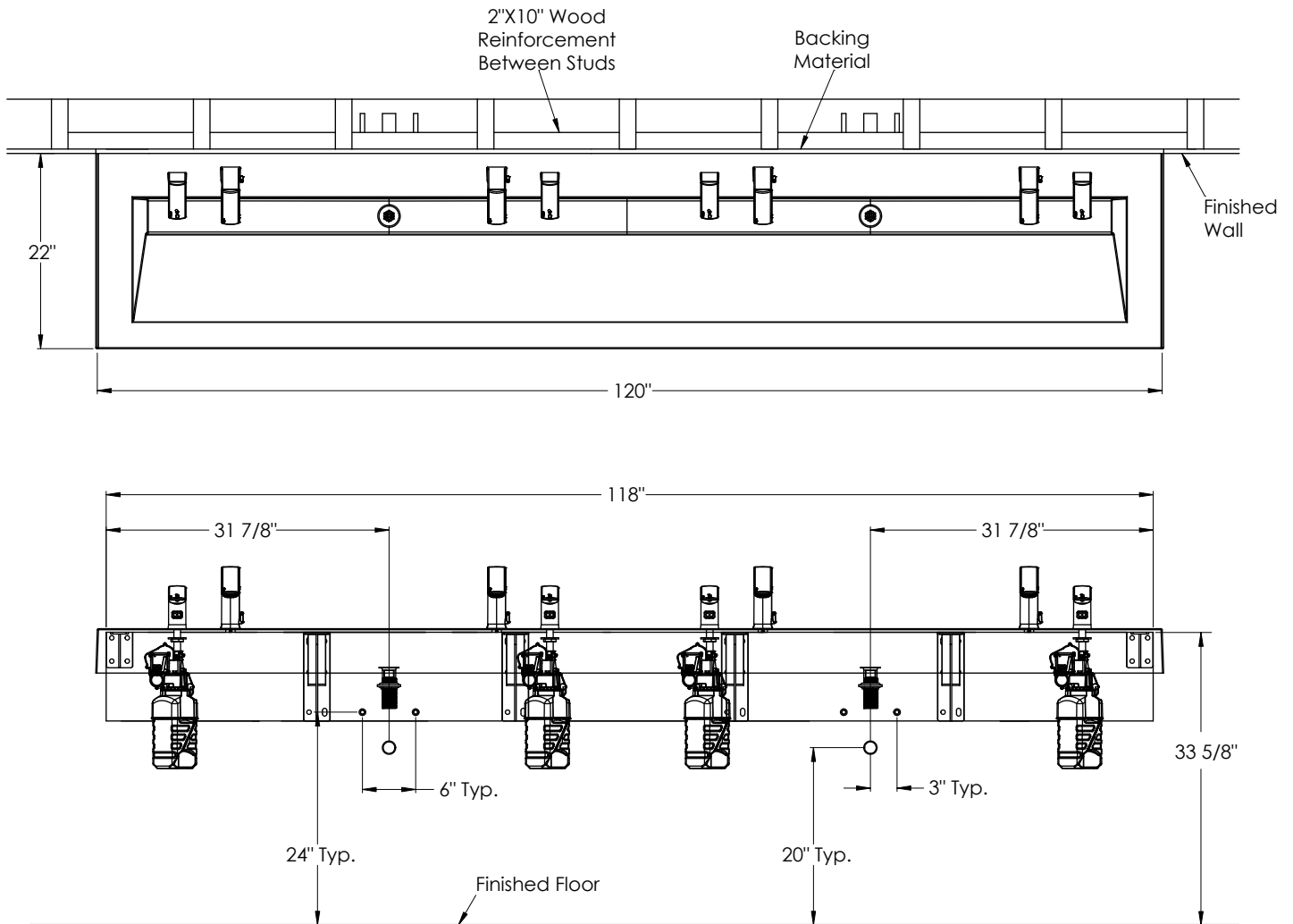


Note:
Faucet and Soap dispenser models shown for reference, actual units will depend on what was selected at order entry.

ELGR-84000, Four Station Component List

Description	Item Number	Quantity
Designer Series ELGR, Four Station, Deck	1	1
Side Bracket (<i>Mounting Option, 0386063</i>)	2	2
Middle Bracket (<i>Mounting Option, 0386064</i>)	3	4
Angled Enclosure (<i>Mounting Option</i>)	4	1
Hook and Hang Access Panel	5	3
any Sloan Faucet	6	4
any Sloan Soap Dispenser Note: If ESD-500 Selected – Area under the sink must be clear for proper installation access and soap bottle change (no outlets, stops, etc).	7	4
Grid Strainer	8	2

Rough-In (Four Station); Bracket Mounting Option



Notes:

1. Backing material should equal thickness of drywall, 1/2" min.
2. Mount brackets to allow clearance for plumbing, optimal spacing between all brackets is 18" ± 3".
3. Position the ESD 500 pump assembly as shown.

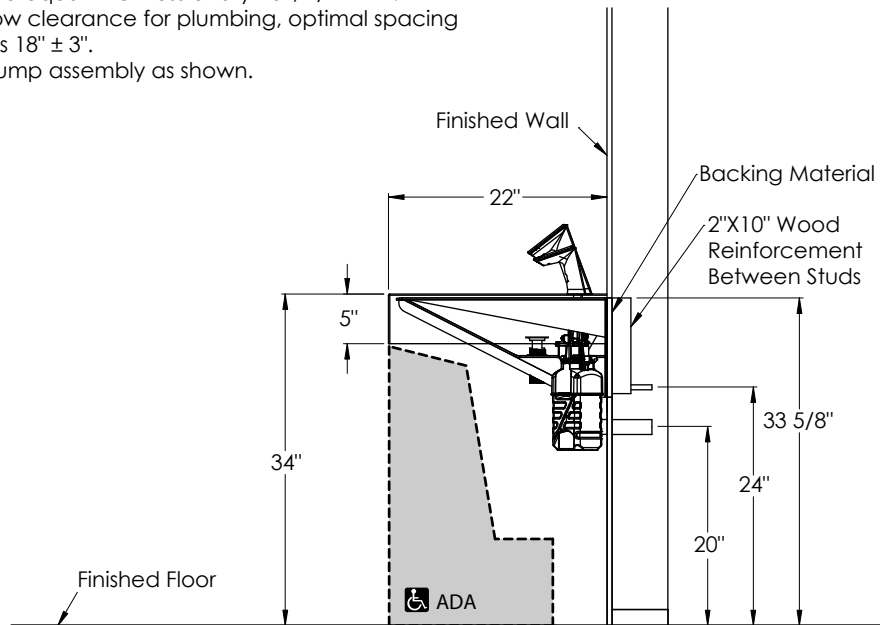
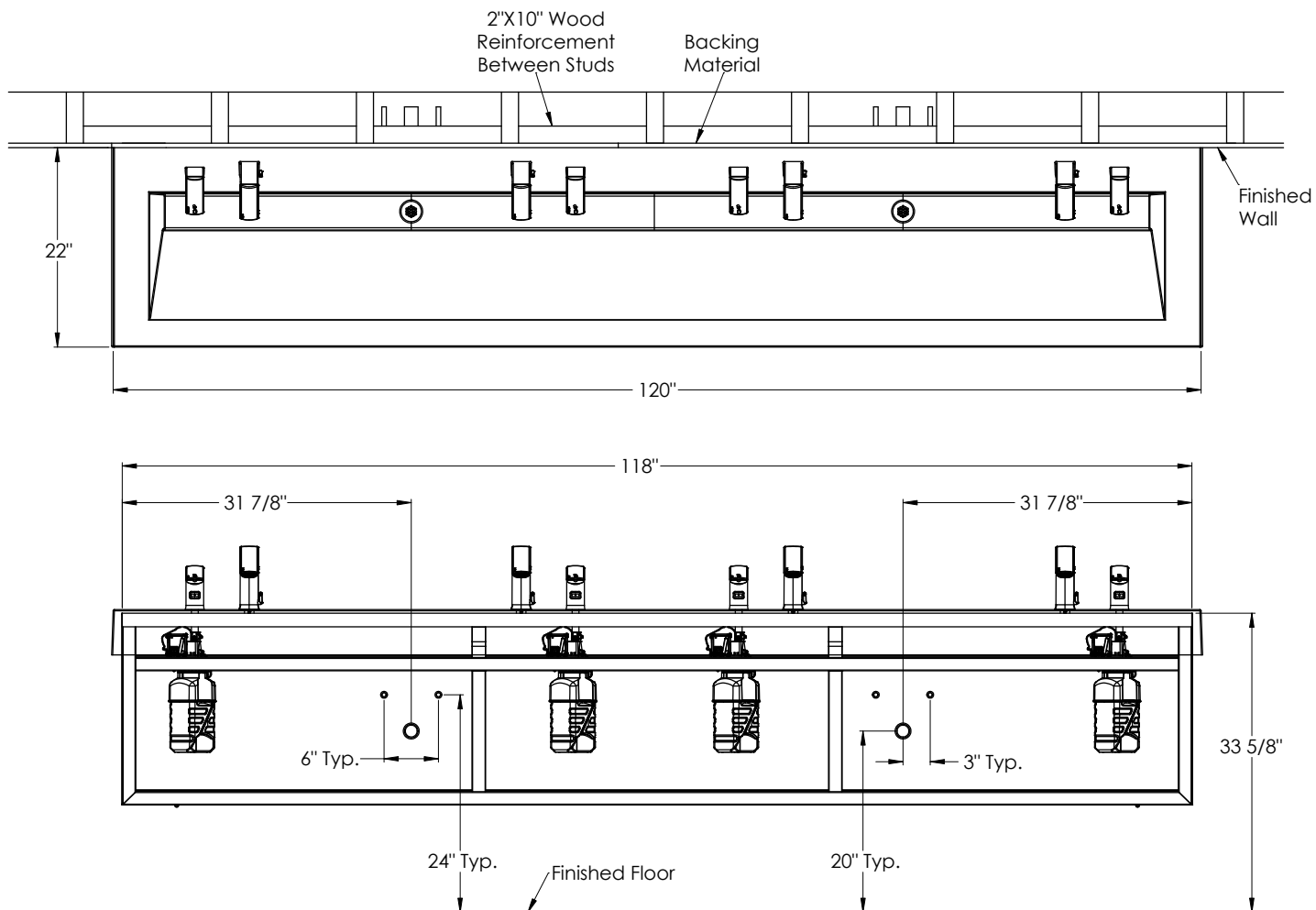


Figure 22

Rough-In (Four Station): Enclosure Mounting Option



Notes:

1. Backing material should equal thickness of drywall, 1/2" min.
2. Position the ESD 500 pump assembly as shown.

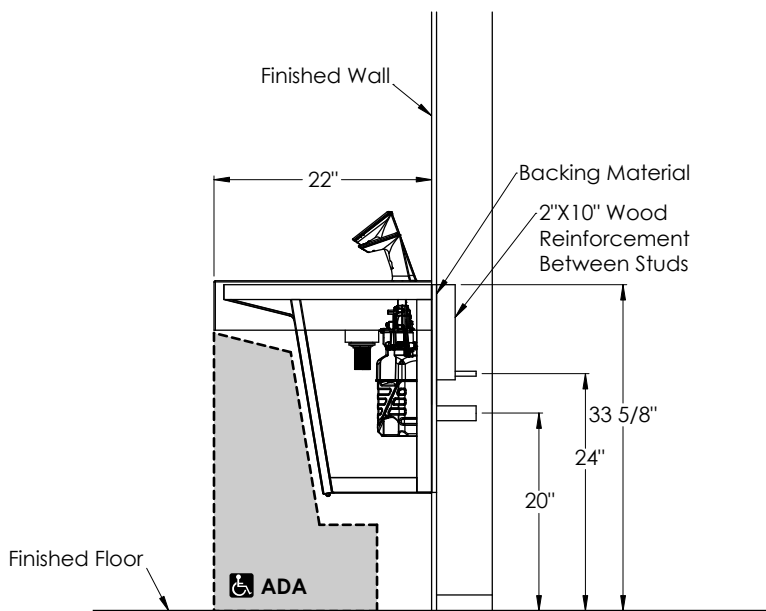
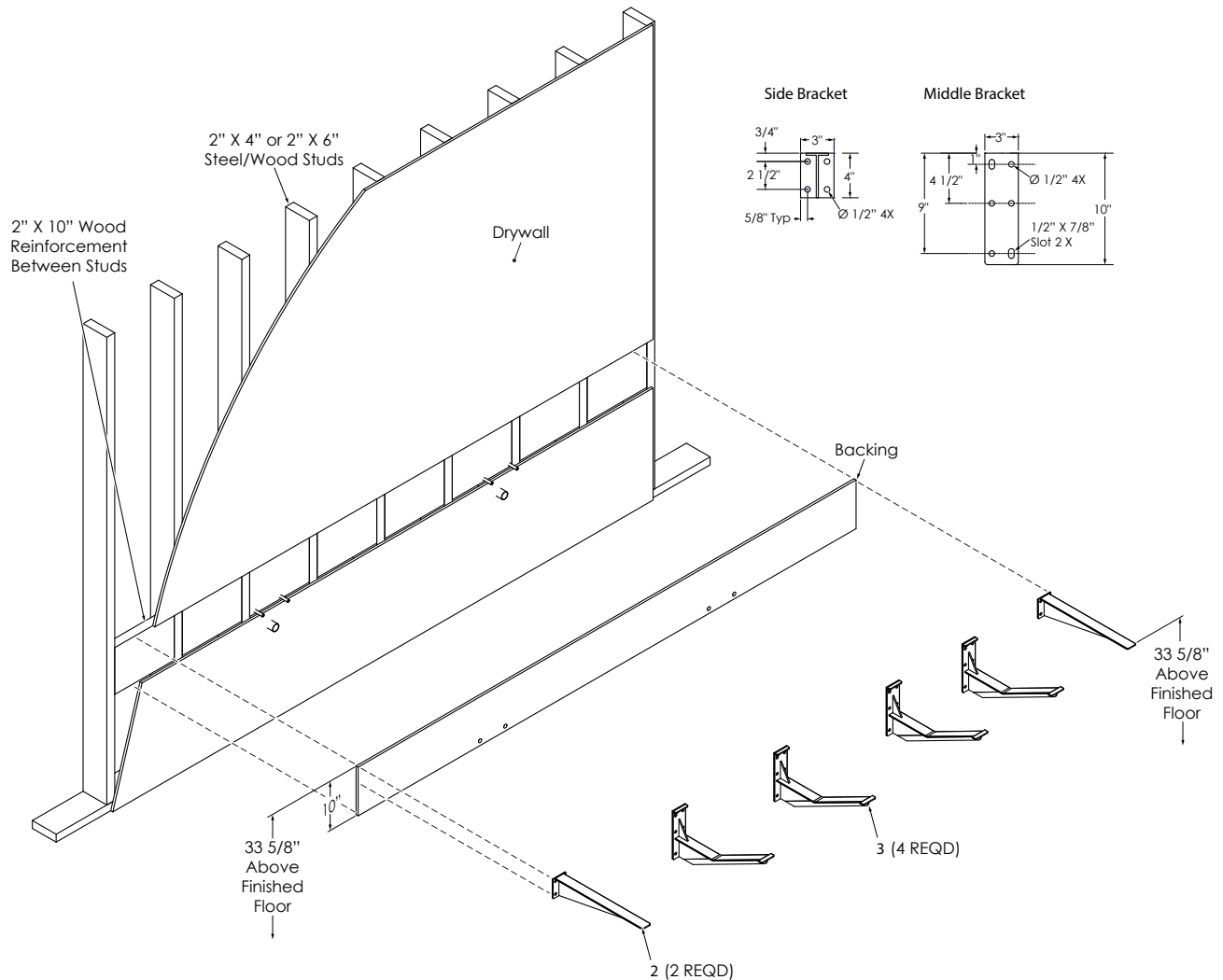


Figure 23

Backing and Bracket Installation (Four Station)



Notes:

1. Due to manufacturer tolerances, all dimensions are for reference only.
2. Backing material should equal thickness of drywall, 1/2" min.
3. Mount brackets to allow clearance for plumbing, optimal spacing between all brackets is $18" \pm 3"$.

Figure 24

1. Install Backing (Figure 24) onto wall studs.

Note: Backing supplied by others to meet local codes.

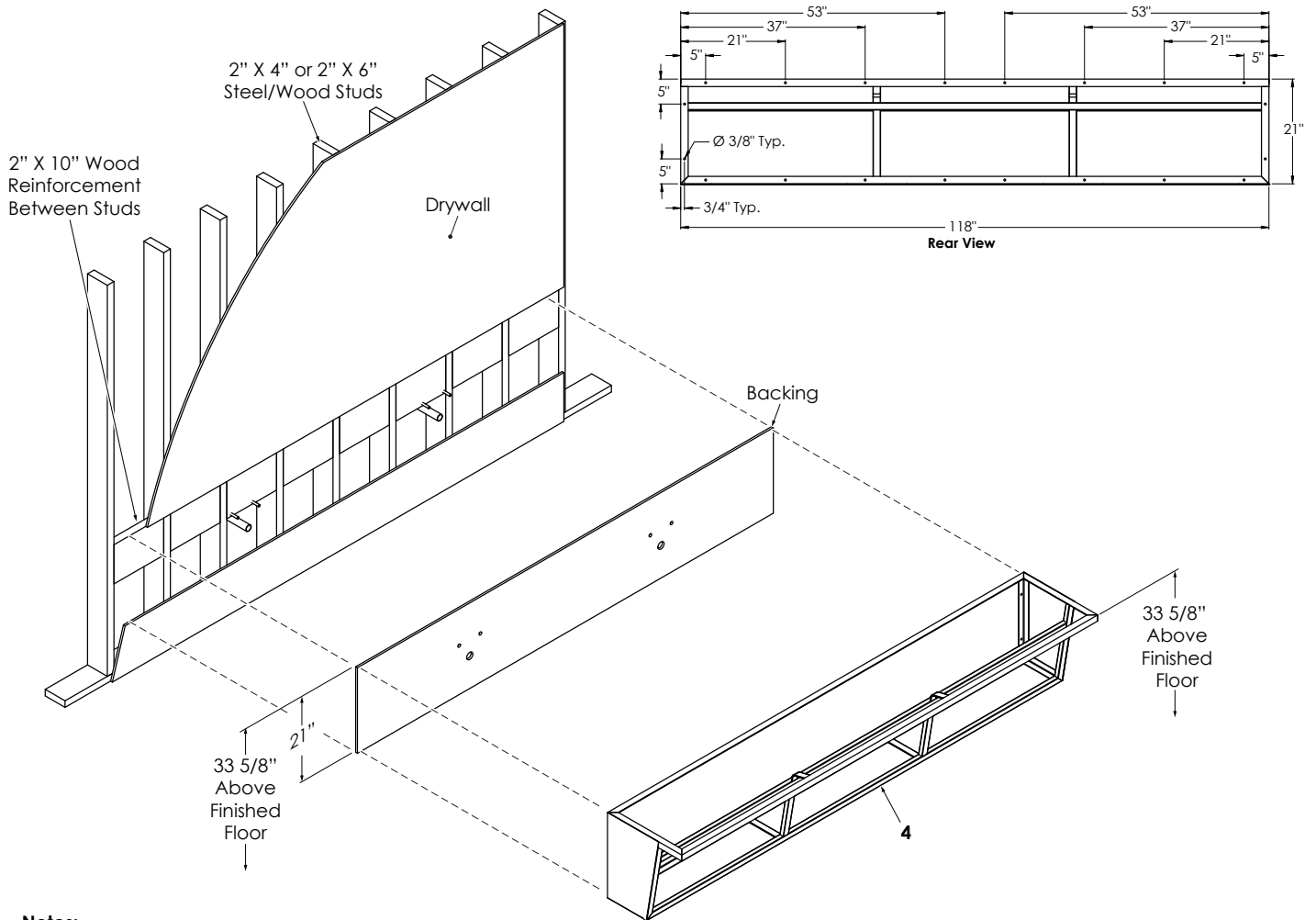
 - a. If drywall is present, refer to rough-in, Figure 22, and cut out drywall window to the outer dimension of the side brackets at 10" high, 33 5/8", above finished floor.
 - b. Remove drywall window.
 - c. Pre-drill/cut holes for plumbing and electrical as required.
 - d. Install backing into cutout drywall window.

2. Mount the Side Brackets (2, Figure 24) and Middle Brackets (3) to the backing. Ensure that Side Brackets (2) and Middle Brackets (3) are level and the proper distance from the floor.

Note: Anchor side brackets to wall using 1,000 lb pull out mounting fasteners for 3/8" holes (not supplied).

 - a. Using mounting fasteners (Not supplied) secure Side Brackets (2) and Middle Brackets (3) onto backing, make sure that the top of Side Brackets (2) and Middle Brackets (3) are 33 5/8" above finished floor. (ADA specifications)

Backing and Enclosure Installation (Four Station)



Notes:

1. Due to manufacturer tolerances, all dimensions are for reference only.
2. Enclosure must be shimmed to wall to ensure proper leveling and straightness.
3. Angled Enclosure and Vertical Enclosure are installed the same.

Figure 25

3. Install Backing (Figure 25) onto wall studs.

Note: Backing supplied by others to meet local codes.

- a. If drywall is present, refer to rough-in, Figure 23, measure outer dimensions of Enclosure (4) and cut out drywall window.
- b. Remove drywall window.
- c. Pre-drill/cut holes for plumbing and electrical.
- d. Install backing into cutout drywall window.

4. Refer to the template in (Figure 25), mount the Enclosure (4) to the backing. Ensure that Enclosure (4) is level and the proper distance from the floor.

Note: Anchor enclosure to wall using 1,000 lb pull out mounting fasteners for 3/8" holes (not supplied).

- a. Using mounting fasteners secure Enclosure (4) onto backing, making sure that the top of Enclosure (2) is 33 5/8" above finished floor. (ADA specifications)

Faucet and Soap Installation (Four Station)

Notes:

- For ease of deck installation, leave the deck lying on its front (if no bag hooks are installed) or lying on its back and install component spouts.
- Components shown for reference only.
- Install Faucet, Soap Dispenser spouts and grid strainer.

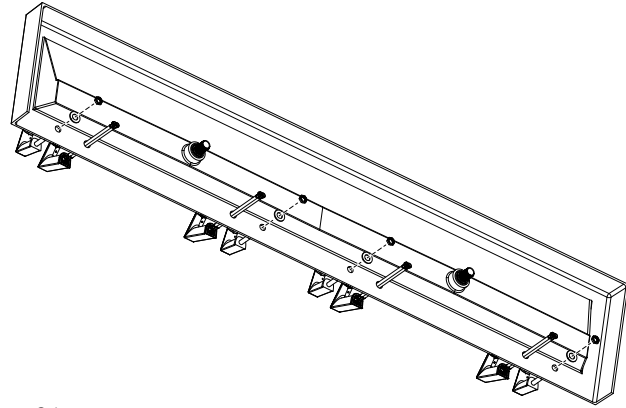


Figure 26

5. Install Faucet and Soap spouts, (Figure 26) onto sink according to manufacturer's instructions provided with component.

Sink Installation (Four Station); Bracket

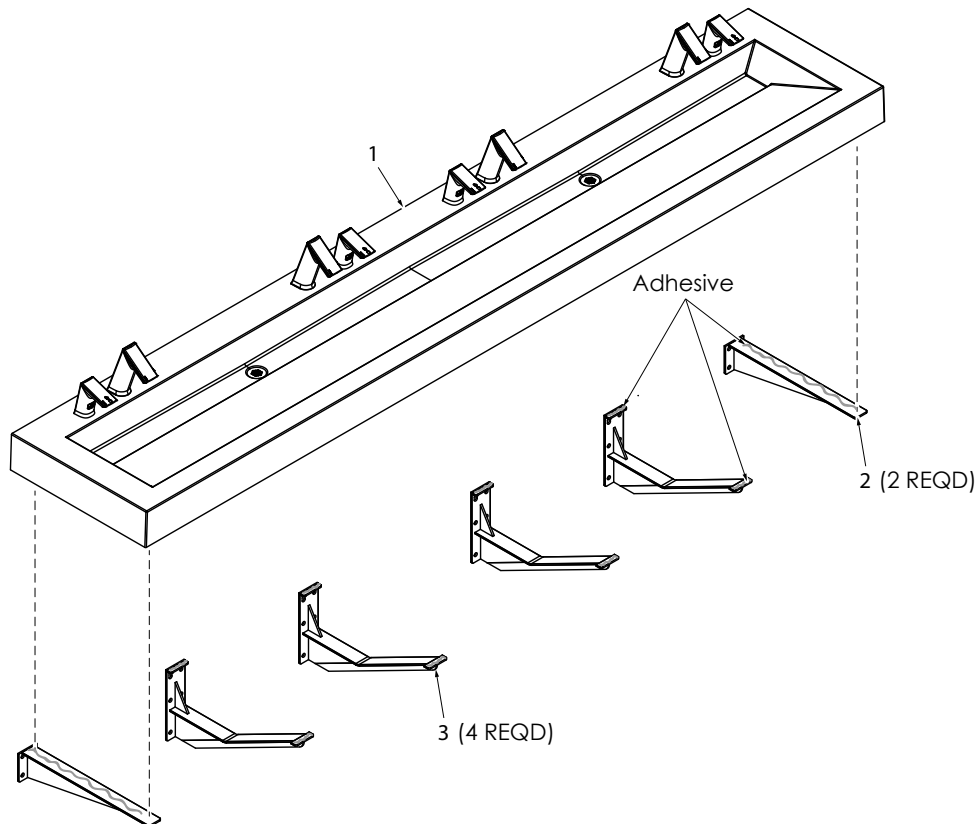


Figure 27

6. Install Deck (1, Figure 27) onto Side Brackets (2) and Middle Brackets (3).
Note: Back of Deck (1) may require scribing to finished wall.
 - a. Apply adhesive (not supplied) to the top of Side Brackets (2) and Middle Brackets (3).
 - b. Lower Deck (1) onto Side Brackets (2) and Middle Bracket (3). Shim all gaps between Side Brackets (2), Middle Brackets (3) and Deck (1).
 - c. Install all water connections and drain lines.
 - d. Remove any and all protective tape and/or wrap.

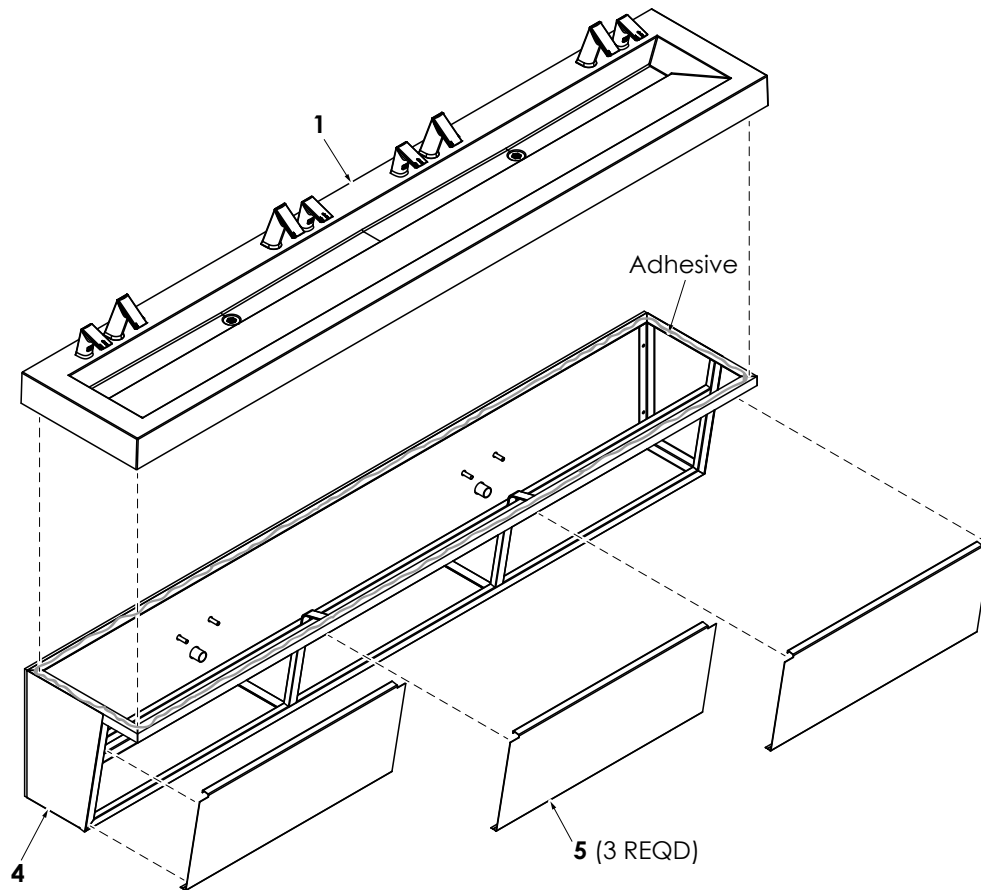


Figure 28

7. Install Deck (1, Figure 28) onto Enclosure (4).

Note: Back of Deck (1) may require scribing to finished wall.

- a. Apply adhesive (not supplied) to the top of Enclosure (4).
- b. Lower Deck (1) onto Enclosure (4). Shim all gaps between Enclosure (4) and Deck (1).
- c. Install all water connections and drain lines.
- d. Remove any and all protective tape and/or wrap.
- e. Attach Access Panel (5) to Enclosure (4).

End of ELGR-84000 Installation Instructions